

BORGMINI DAYLITE™

P/N: AVE-BMILOW-D01

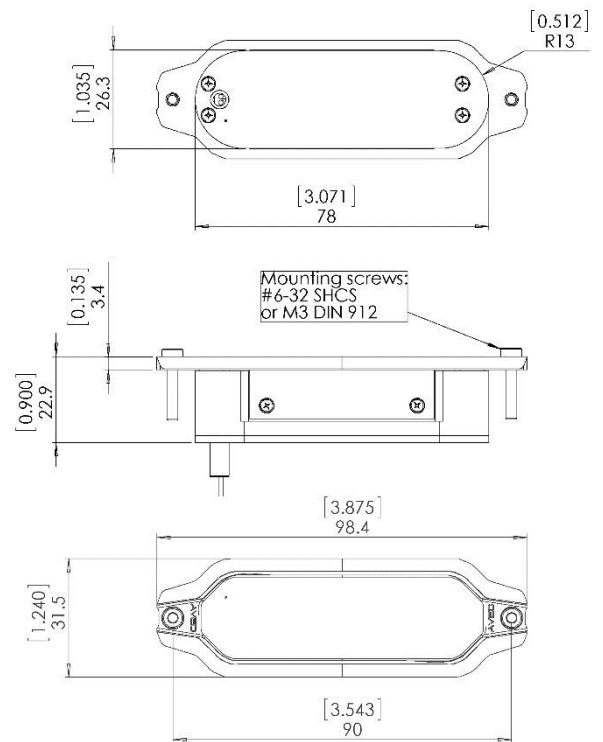
Cargo / Wheel Well / Step LED light



Specification

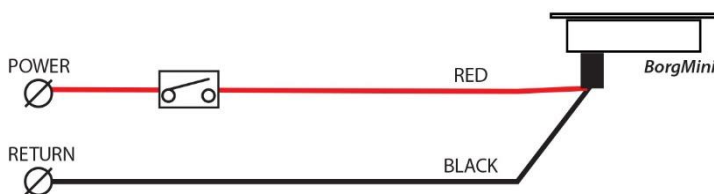
Dimensions (mm):	98,4 mm x 31,5 mm x 22,9 mm
Dimensions (inches):	3.875" x 1.240" x 0.900"
Weight (g):	75 g
Weight (oz):	2.645 oz
Operating Voltage Range:	9 – 36 VDC
Input Current (@28V):	0.250 A (+/-5%)
Output Power:	5.5 W
Ambient Temperature:	from -40°C to +85°C from -40°F to +185°F
Waterproof, Dust-proof, Shock-proof, Vibration-proof:	YES

Drawing



Dimensions in mm / inches

Wiring Diagram



**NOT APPROVED FOR INSTALLATION ON CERTIFIED AIRCRAFT
THIS IS NOT A TSO CERTIFIED LIGHT**