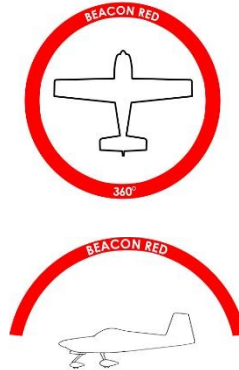


MiniMax TS™ - Red

PN: AVE-PMMR-12A Mod(1)

Strobe / Steady LED light

Developed originally at the request of the world's leading UAV manufacturers, all of which now utilize Aveo lighting, the MiniMax is a compact powerhouse of hemispheric light. It is also a great anticollision light to use on upper and lower fuselage in combination with AveoFlash wing lights due to its incredibly small footprint. Available in red or white LED color.

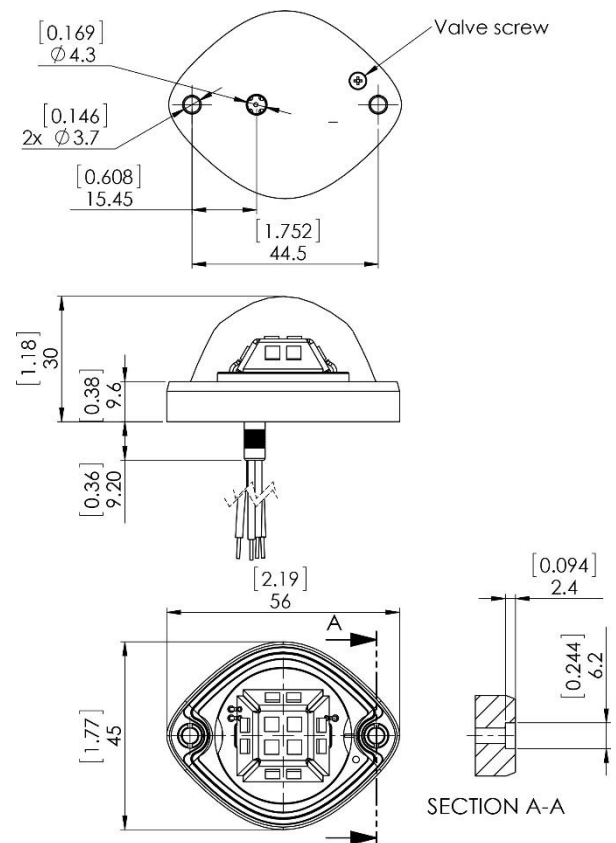


Specification

Dimensions:	See drawing on the right
Weight:	40 g / 1.411 oz
Operating voltage range:	9-36 V DC
Output current:	- strobe 0.6A /LED - steady 0.1A /LED
Output power:	- strobe 16.6W - steady 2.7W
Input power:	- strobe 19.6W @28V, 20.7W @14V, 17.6W @9V - steady 3.1W @28V, 2.8W @14V, 2.8W @9V
Input current:	- strobe 0.7A @28V, 1.48A @14V, 1.95A @9V - steady 0.11A @28V, 0.2A @14V, 0.31A @9V
Flash rate:	100/50 + 50/50 + 50/950(mS)
Ambient temperature:	from -55°C to +75°C from -67°F to +167°F
Overheat protection:	Yes, +85°C
Recommended size of mounting screw:	6-32
Transient voltage:	60V
Under-voltage lockout:	9V, not more
Over-voltage lockout:	36V, not less
Waterproof, Dust-proof, Shock-proof, Vibration-proof:	Yes
Wiring:	Teflon insulation, 500V Wire length from base of unit 254mm (10") min.
Red:	VCCP - AWG 20, Positive power supply line for position
Yellow:	VCCS - AWG 20, Positive power supply line for strobe
Black:	GND - AWG 20, Common negative power supply line
Blue:	SYNC - AWG 20, Synchronization line

Note: Performance at 25°C and 88% DC-DC efficiency

Drawing



Dimensions in [inches] mm

**NOT APPROVED FOR INSTALLATION ON CERTIFIED AIRCRAFT
THIS IS NOT A TSO CERTIFIED LIGHT**