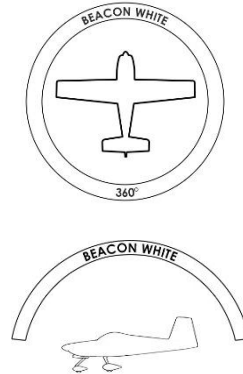


# MiniMax TS™ - White

PN: AVE-PMMW-12A Mod(1)

## Strobe / Steady LED light

Developed originally at the request of the world's leading UAV manufacturers, all of which now utilize Aveo lighting, the MiniMax is a compact powerhouse of hemispheric light. It is also a great anticollision light to use on upper and lower fuselage in combination with AveoFlash wing lights due to its incredibly small footprint. Available in red or white LED color.

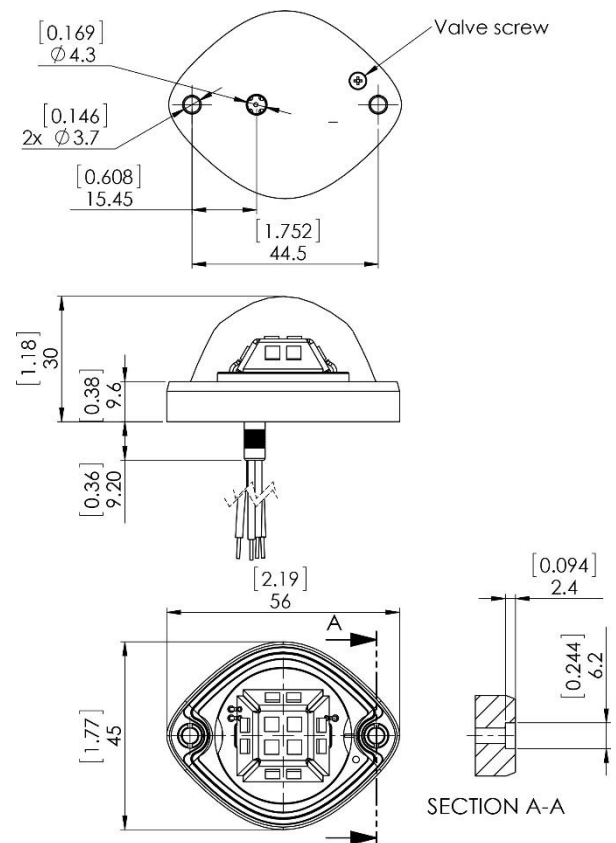


## Specification

<b>Dimensions:</b>	See drawing on the right
<b>Weight:</b>	40 g / 1.411 oz
<b>Operating voltage range:</b>	9-36 V DC
<b>Output current:</b>	- strobe 0.6A /LED - steady 0.1A /LED
<b>Output power:</b>	- strobe 21.2W - steady 3.4W
<b>Input power:</b>	- strobe 26.6W @28V, 28.5W @14V, 28.1W @9V - steady 4.8W @28V, 4.2W @14V, 4.3W @9V
<b>Input current:</b>	- strobe 0.93A @28V, 2.04A @14V, 3.12A @9V - steady 0.17A @28V, 0.3A @14V, 0.48A @9V
<b>Flash rate:</b>	100/50 + 50/50 + 50/950(mS)
<b>Ambient temperature:</b>	from -55°C to +75°C from -67°F to +167°F
<b>Overheat protection:</b>	Yes, +85°C
<b>Recommended size of mounting screw:</b>	6-32
<b>Transient voltage:</b>	60V
<b>Under-voltage lockout:</b>	9V, not more
<b>Over-voltage lockout:</b>	36V, not less
<b>Waterproof, Dust-proof, Shock-proof, Vibration-proof:</b>	Yes
<b>Wiring:</b>	Teflon insulation, 500V Wire length from base of unit 254mm (10") min.
<b>Red:</b>	VCCP - AWG 20, Positive power supply line for position
<b>Yellow:</b>	VCCS - AWG 20, Positive power supply line for strobe
<b>Black:</b>	GND - AWG 20, Common negative power supply line
<b>Blue:</b>	SYNC - AWG 20, Synchronization line

Note: Performance at 25°C and 88% DC-DC efficiency

## Drawing



Dimensions in [inches] mm

**NOT APPROVED FOR INSTALLATION ON CERTIFIED AIRCRAFT  
THIS IS NOT A TSO CERTIFIED LIGHT**