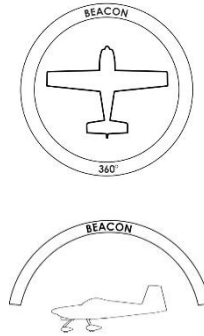


Strobe / Steady LED light

Developed originally at the request of the world's leading UAV manufacturers, all of which now utilize Aveo lighting, the MiniMax Ariel™ is a compact powerhouse of hemispheric light. It is also a great anticollision light to use on upper and lower fuselage in combination with Aveo DayLite™ wing lights due to its incredibly small footprint.

Available in white, amber, red or infrared LED color.

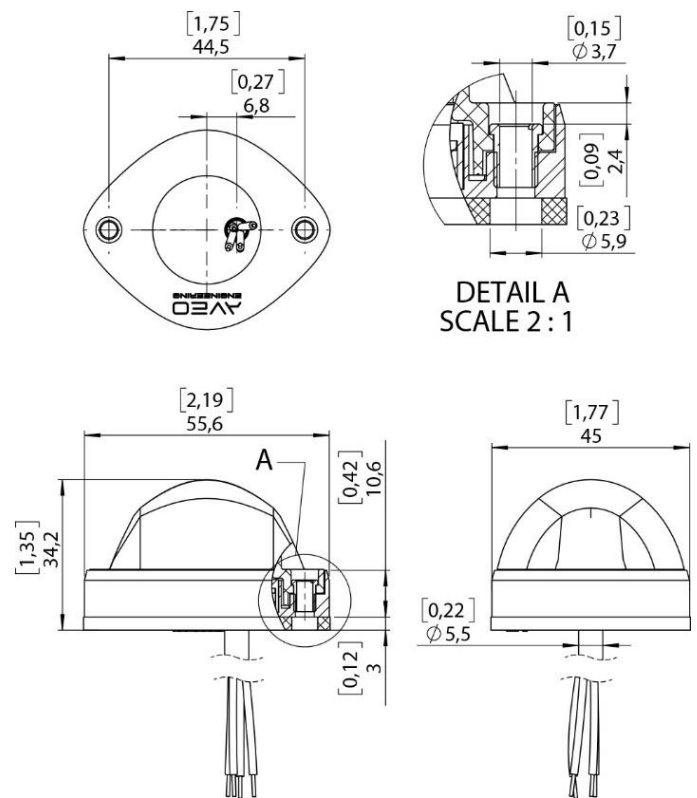


Specification

Dimensions:	See drawing on the right
Weight:	53 g / 1.87 oz
Operating voltage range:	9-36 V DC
Input power/current: White (AVE-PSASW-D01)	Position Branch: 14V / 0.24A : 3.4W 28V / 0.13A : 3.6W Strobe Branch: 14V / 1.70A : 23.8W 28V / 0.79A : 22.1W
Input power/current: Red (AVE-PSASR-D01)	Position Branch: 14V / 0.12A : 1.7W 28V / 0.07A : 2.0W Strobe Branch: 14V / 0.85A : 11.9W 28V / 0.41A : 11.5W
Input power/current: Amber (AVE-PSASA-D01)	Position Branch: 14V / 0.12A : 1.7W 28V / 0.07A : 2.0W Strobe Branch: 14V / 0.84A : 11.8W 28V / 0.40A : 11.2W
Input power/current: Infrared (AVE-PSASI-D01)	Position Branch: 14V / 0.16A : 2.2W 28V / 0.09A : 2.5W Strobe Branch: 14V / 1.05A : 14.7W 28V / 0.50A : 14.0W
Flash rate:	100/50 + 50/50 + 50/950(mS)
Ambient temperature:	from -40°C to +75°C from -40°F to +167°F
Overheat protection:	Yes, +85°C
Transient voltage:	60V
Under-voltage lockout:	9V, not more
Over-voltage lockout:	36V, not less
Waterproof, Dust-proof, Vibration-proof:	Yes

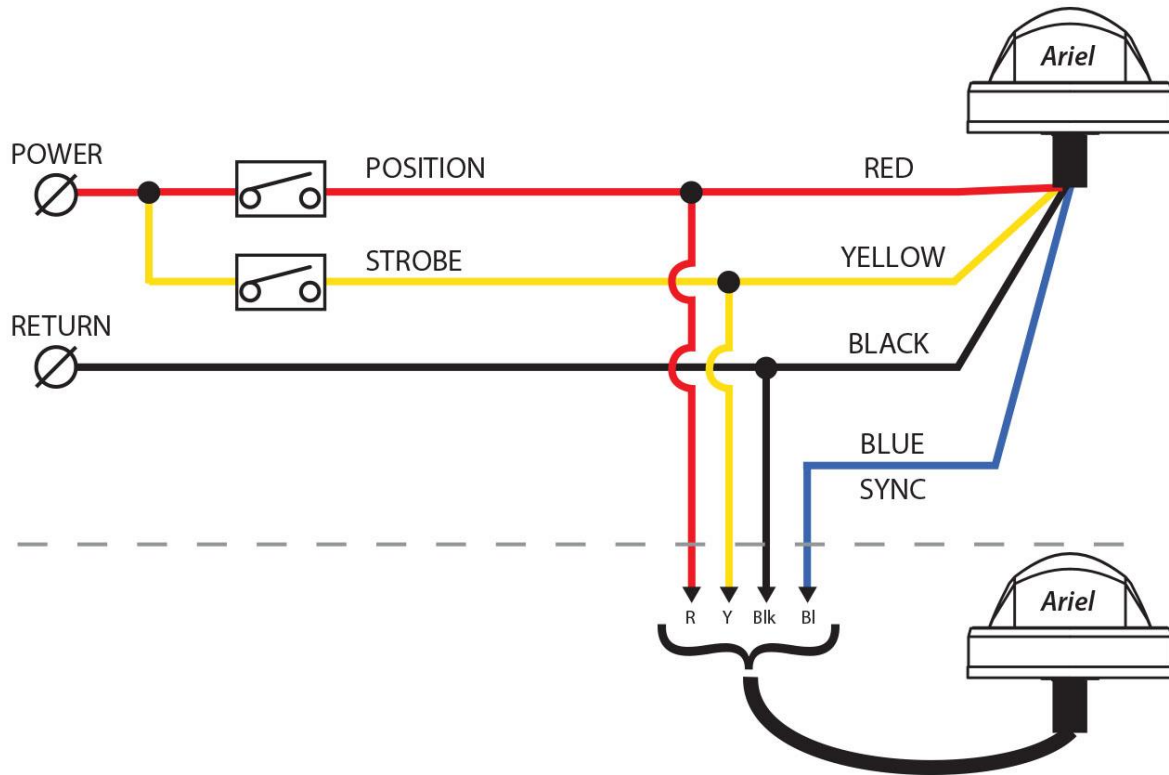
Note: Performance at 25°C and 88% DC-DC efficiency

Drawing



Dimensions in [inches] mm

NOT APPROVED FOR INSTALLATION ON CERTIFIED AIRCRAFT
THIS IS NOT A TSO CERTIFIED LIGHT



Teflon insulation, 500V

Wire length from base of unit 254mm (10") min.

VCCP - AWG 20, Positive power supply line for position (RED)

VCCS - AWG 20, Positive power supply line for strobe (YELLOW)

GND - AWG 20, Common negative power supply line (BLACK)

SYNC - AWG 20, Synchronization line (BLUE)

NOT APPROVED FOR INSTALLATION ON CERTIFIED AIRCRAFT
 THIS IS NOT A TSO CERTIFIED LIGHT