



Installation Manual

EYEBEAM TOUCH

LED Swivel Light With TOUCH Sensing Control

AVEO
ENGINEERING

© Aveo Engineering Group, s.r.o.
www.aveoengineering.com

1. GENERAL INFORMATION

The incredible Aveo EyeBeam Touch™ capacitive sensing controlled cockpit and cabin lights feature a swiveling enclosure to direct light where you need it simply and quickly. With one light finger touch you can control power, white LED, red LED or the brightness slider scale easily with no mechanical switches to fail and no bulbs to burn out. The EyeBeam comes with a variety of easily-applied colored faceplates so you can get the look you want, standard faceplate colors are black, silver or white, but volume orders for custom colors are always welcome. Standard aluminum colors available are anodized black or anodized silver.

Cockpit and cabin lighting, especially on aircraft, helicopters, boats, recreational vehicles and trucks are plagued by problems from vibration.... the EyeBeam overcomes this with a vibration-proof product.

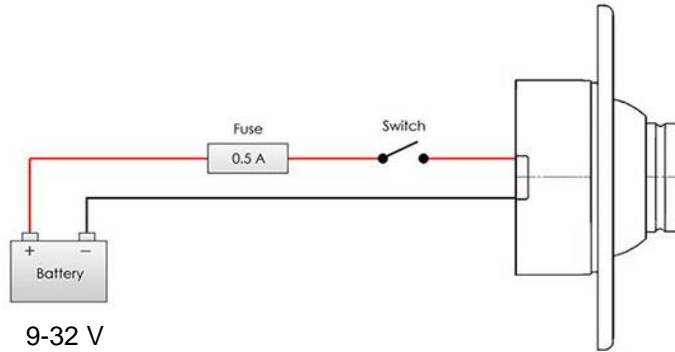
The advantages of capacitive sense technology now used in many smartphones and other electronic devices are clear:

- Eliminates ugly and worn-down mechanical buttons and sliders
- LEDs replacing bulbs means extremely low electrical load
- Resistant to environmental factors: water, temperature, humidity

Key Features:

- 9-32 volt input range
- no external power supply
- capacitive sensing touch controls
- swiveling light permits light beam control
- no mechanical switches to fail
- unmatched circuit technology
- available in variety of LED and external colors

2. WIRING DIAGRAM

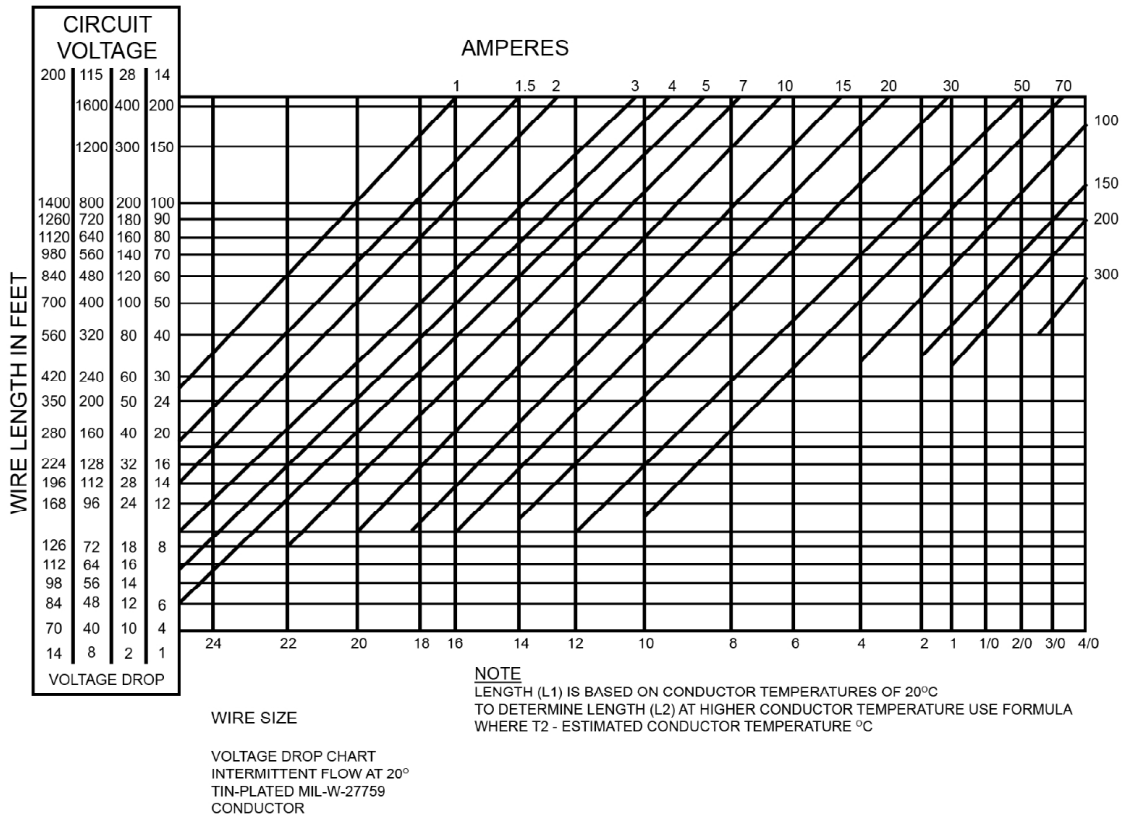


3. CONTROL & POWER INPUTs:

Flying ends, multicores 20 AWG, 300V insulation, 160°C rating.

- Red Wire – Power Supply +28V
- Black Wire – Common return 28V
- Wire length: min 10.6 inch

4. WIRING CHART

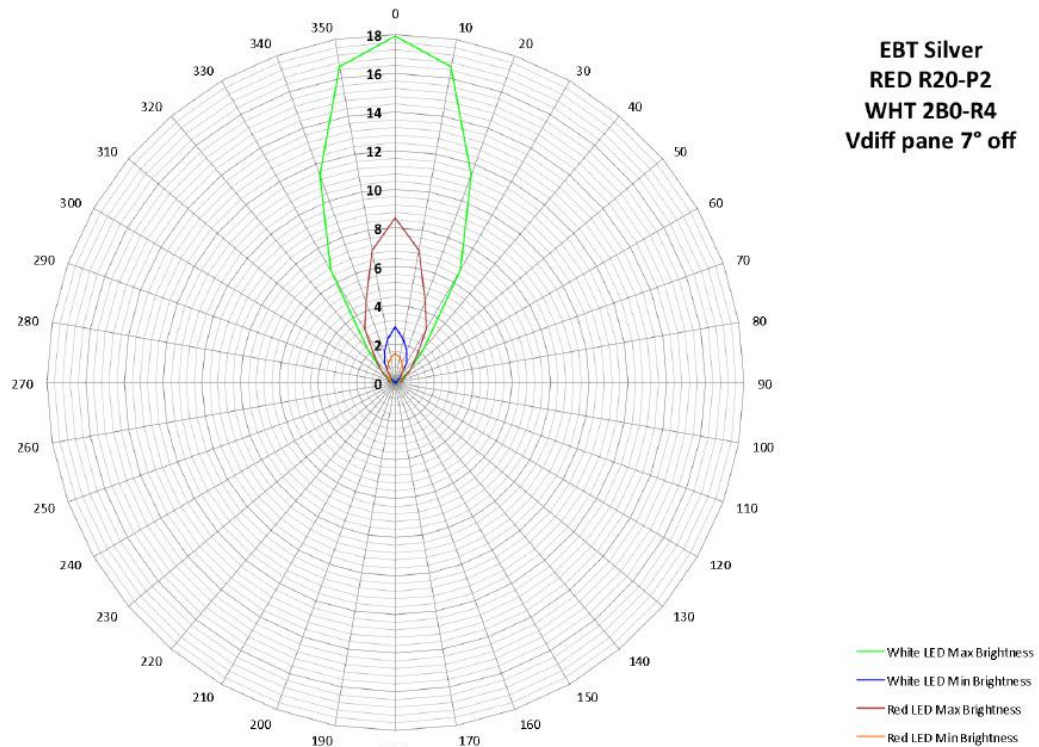


5. TECHNICAL SPECIFICATION

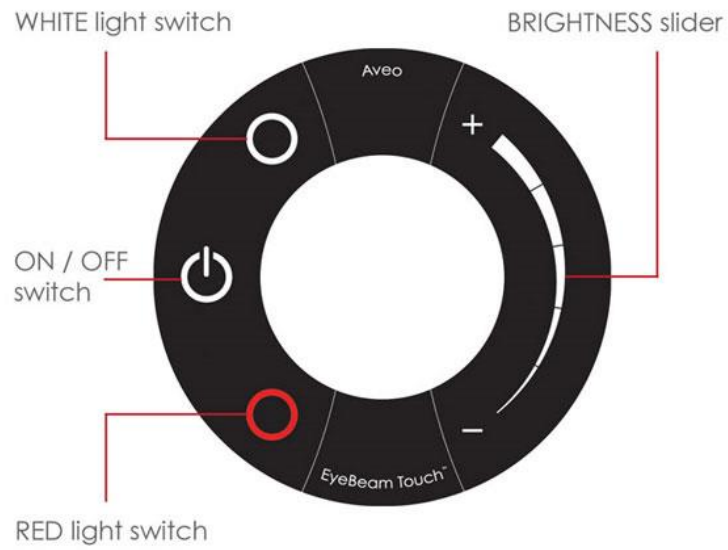
Voltage range:	9 – 32 VDC, nominal 28 VDC
Voltage protection:	
· Transient voltage:	60V
· Under-voltage lockout:	9V, not more
· Over-voltage lockout:	32V, not less
Power consumption at 25°C	
· Standby mode:	0.22W
· White LED	Min: 0.53W / Max: 1.73W
· Red LED	Min: 0.52W / Max: 1.42W
Current (@12V):	110mA (full brightness)
Dimming:	Yes / 5 levels
Weight:	117 g / 0.257 lbs
Lamp life expectancy	not less than 15.000 aircraft flight hours

Optical Characteristics

- Color temperature – Cool White, Red
- **Light intensity**
 - White LED - Max Brightness 17 Cd / Min Brightness 3 Cd
 - Red LED - Max Brightness 6 Cd / Min Brightness 1 Cd
 - Viewing angle – 27.5°, Frosted Medium



Faceplate:



Eyebeam Touch colors available:

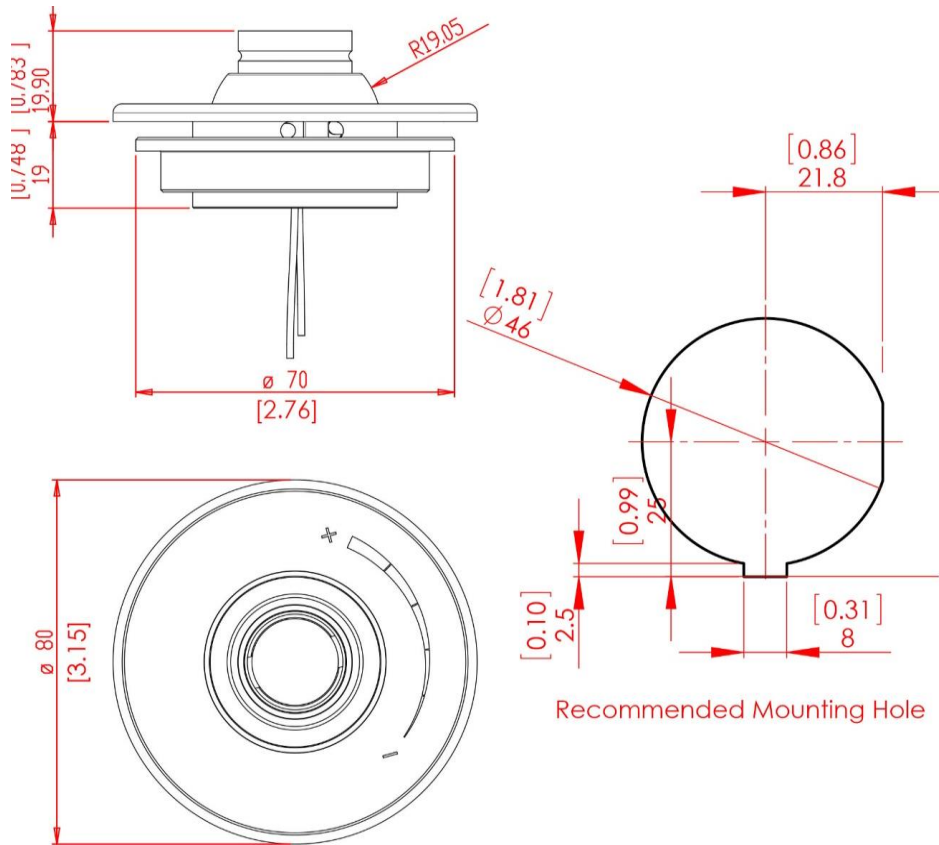
BLACK



SILVER



6. TECHNICAL DRAWING



*dimensions in [inches] mm

7. INSTALLATION INSTRUCTION

a. Unpacking and Inspection

Verify all ordered parts listed were received and sustained no shipping damage. Where evidence of shipping damage exists, save the shipping carton and packing material to help substantiate your claim to the shipping company. Retain the original shipping carton and packing material in case you need to ship the unit for service.

b. Orientation

The components can be positioned in any orientation, however the EyeBeam's are to be positioned to project light as intended.

c. Cooling

The EyeBeam Touch components are not equipped with air vents or fans, which can be blocked and therefore this consideration is not required.

8. FACTORY SERVICE POLICIES

Service of an EyeBeam Touch component performed at the factory typically includes an overhaul consisting of a thorough inspection, repair as needed and functional tests. Prepare a packing slip that includes the part number(s) and serial number(s) of the items to be returned, along with a complete description of the problem, requested service and special instructions. The packing slip must also include a contact name, daytime telephone number and return shipping address.

To return an item, securely pack it in the original shipping container, if possible, and ship it to Aveo Engineering Group at following address:

Aveo Engineering Group, s.r.o.
Příbram Airport (LKPM)
Drásov 202
261 01 Drásov
Czech Republic
Tel.: +420 731 116 567
Fax: +420 326 531 098
e-mail: michal@aveogroup.com