



INSTALLATION MANUAL

POWERBURSTPLUS™

Position / Nav / Strobe LED Light

P/N:
AVE-WPSTG-20D Green, AVE-WPSTR-20D Red

Revision: A
Valid from: 05/August/2015

1. POWER BURST PLUS

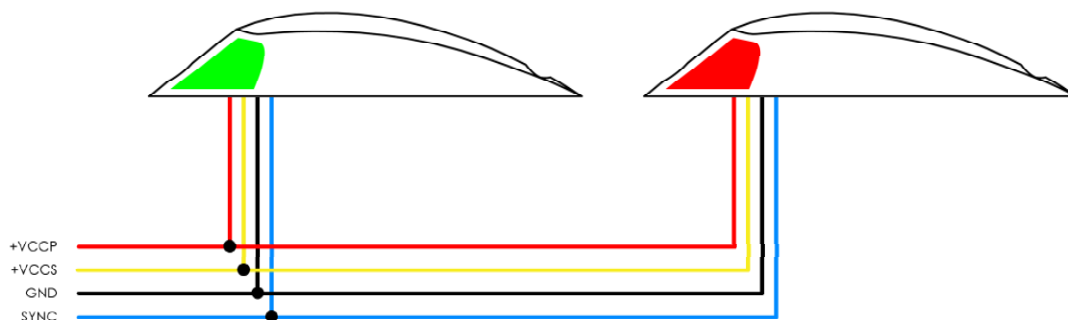
At only 22 millimeters in height (0.86 inch) the new PowerBurst™ Plus is a value light that does not sacrifice anything in performance or standards as other economy-priced lights offered by the competition.

Our exclusive and highly advanced optics and chrome reflector system, our unmatched power and led management circuitry and our famous lowest-drag profile in the industry are all combined into a product that gives you unmatched POWER and FEATURES.

2. MAIN FEATURES:

- 3-in-1 Nav/Position/Strobe
- Extremely lightweight at 60 grams / 2.116 oz.
- No external power supply or strobe unit light synchronization feature
- Unbreakable Diamidium™ encapsulation
- Unmatched circuit technology advanced computer and goniophotometer engineered optics
- Unbreakable
- Waterproof
- Vibration-proof
- Shock-proof
- Dust-proof
- Meets ALL DO-160F Environmental Standards
- Limited 3yr Warranty - Product must be registered within 30 days of purchase

3. WIRING DIAGRAM



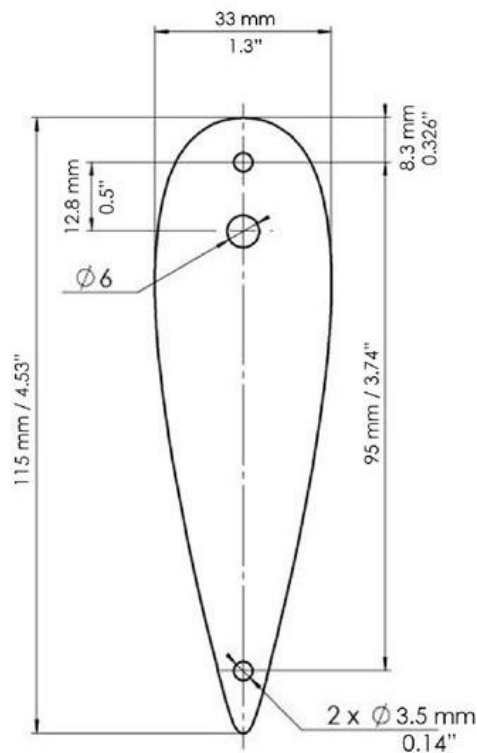
4. CONTROL & POWER INPUTS:

- | | |
|--------------|---|
| +VCCP | - positive position/nav power supply line |
| +VCCS | - positive strobe power supply line |
| GND | - negative common power supply line (ground) |
| SYNC | - strobe synchronization line (mutually interconnect on all installed AveoFlash lights) |

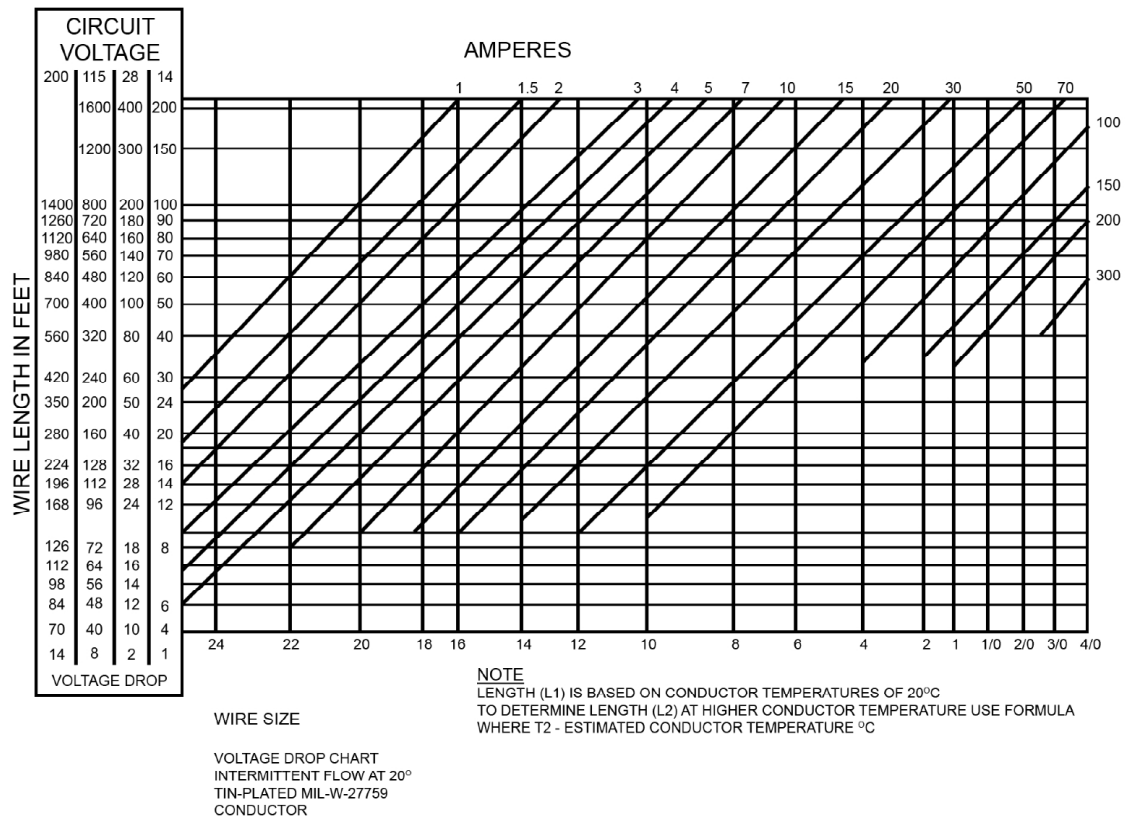
5. TECHNICAL SPECIFICATION

Dimensions:	115 mm x 33 mm x 22 mm 4.53" x 1.3" x 0.866"
Weight:	60 g / 2.116 oz
Nominal Operating Voltage:	9-18V DC
Current – position/nav (@12V):	0.35 A per LED
Current – strobe (@12V):	0.65 A per LED
Input power – position/nav (@12V):	4W
Input power – strobe (@12V):	29W in pulse
Repetition Flash Rate of Strobe:	50 cycles per minute
Recommended size of mounting screw:	M3, stainless steel recommended. Length depends upon placement location on wing tips.
Wire type:	20 AWG, 22 AWG Sync, min. length 10.5 inch (270mm)
Reverse polarity protected:	Yes
Over voltage protected:	No
Waterproof, Vibration-proof, Shock-proof, Dust-proof:	Yes

6. TECHNICAL DRAWING



7. WIRING CHART



8. TESTING THE FUNCTION OF THE AVEO AURORA SERIES LIGHTS BEFORE INSTALLATION

All Aveo Aviation lights undergo rigorous testing prior to being released from our engineering manufacturing department. This testing involves a burn-in time as well as other function testing. No light is released for sale without undergoing this extensive operational testing.

When you receive the Aveo Aurora Series Aviation Lights, and wish to test the function of the lights prior to installation on your aircraft, please note the following:

Please review the written information that is enclosed in the packaging. Warranty information as well as a cautionary note about power supply removal is enclosed with each package.

Remove the lights from the package. Note that there are four (4) wires coming from each light. These wires are:

- Black wire** – Ground wire (negative lead)
- Red wire** – Position/Navigation light function wire (positive lead)
- Yellow wire** – Strobe light function wire (positive lead)
- Blue wire** – used if the synchronization of the Aveo lights is selected

Testing of the function of each light can be done with a regular 12V/2.5A dc power supply (not a battery chargers). Connect the black wire to the ground (negative) leads of a power supply, then connect the red wire to the positive (+) leads on the power supply. The position/navigation light, either red or green on the front side and white on the back side

should light up. While the red wire is still in contact with the positive side of the power supply, connect the yellow wire to the positive lead. Both the position/navigation part of the light and the strobe function should work. **For the Aurora Series of lights, the strobe function is separate from the nav function and can be tested separately.** To test the strobe function separately, just connect the yellow wire only to the positive terminal of the power supply while the black wire is connected the ground side of the power supply. Connecting the blue wires from each light together (and not to the ground or positive terminals on the battery) should show that the lights are flashing together and indicates the synchronization feature is working properly. When installed on the aircraft, using the aircraft's power, the lights will be at their maximum intensity.

After testing, the lights can be installed on the aircraft.

IMPORTANT NOTES:

Under no circumstances should any power supply other than a 9-18 V DC, or a 12 volt battery be used to test the lights. Do not use: Battery chargers, battery back-up power devices, or other bench avionics testing methods to test the aviation lights. The lights are functional at range from 9V up to 18V DC only. Use of a battery charger or other power unit to test the lights will void the warranty and may damage the lights.

All power supplies for existing strobe lights, flasher beacons, etc. are required to be removed from the aircraft prior to the installation of the Aveo lights.

9. CARE AND CLEANING OF YOUR AVEO ENGINEERING AVIATION LIGHTS

When you receive your Aveo Engineering Aviation Lights, they will have been factory polished and ready to install on the aircraft. Upon installation, just give the lights a good coat or two of a quality automotive polish. This should protect the lights from dirt and other environmental factors. Once or twice a month, just refresh the polish and hand buff to bring back the lights to factory like new condition.

If the lights need a deeper cleaning, they can be polished with a good automotive cleaner wax and/or a liquid polishing compound. The liquid polishing compounds can normally be found at automotive parts stores or an automotive paint store. After using a polishing compound, just give the lights another coat of an automotive polish and you will again protect the lights against dirt, etc. An electric buffing machine, with a lamb's wool cover, can also be used for deeper cleaning and polishing. Under no circumstances should any petroleum based product be used to clean the lights.

For continued UV protection Aveo Engineering offers Nonocloak™ UV Protectant Spray and Cleaner, available at any Aveo Engineering Authorized installation Center. Protect lights with Nonocloak™ every six months.