

INSTALLATION MANUAL

ULTRA EMBEDDED AURORA™

Navigation (red and green) / Strobe (white) LED light

1. PRODUCT INFO

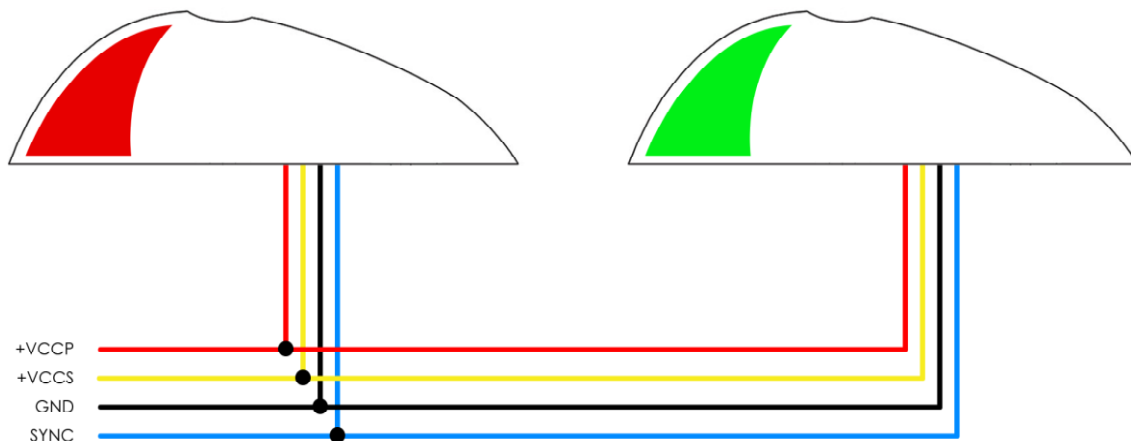
The Ultra Series lights are a very popular choice for certified and general aviation aircraft of any size, due to their compact design and easy installation. With full optical testing for brightness and chromacity, the Ultra also completed the rigorous DO-160 F2 testing regime exceeding all requirements. The Ultra has also become the leading winglight solution for numerous military and law enforcement/surveillance UAVs around the world and is very popular with aircraft manufacturers.

Encapsulated in the exclusive AveoDiamidium™ formulation and with our goniophotometer-optimized chromed reflector system, the Ultra wing lights are virtually unbreakable.

MAIN FEATURES:

- Navigation (red and green) / Strobe (white) LED light
- extremely lightweight at 83 grams
- 9-36 volt DC input range
- no external power supply or strobe unit
- light synchronization feature
- unmatched circuit technology
- advanced computer and goniophotometer engineered optics

2. WIRING DIAGRAM



3. CONTROL & POWER INPUTS:

- | | |
|--------------|---|
| +VCCP | - positive position power supply line |
| +VCCS | - positive strobe power supply line |
| GND | - negative common power supply line (ground) |
| SYNC | - strobe synchronization line (mutually interconnect on all installed AveoFlash lights) |

4. TECHNICAL SPECIFICATION

Dimensions:	100 mm x 45 mm x 30 mm 3.94" x 1.77" x 1.18"
Weight:	83 g / 2.93 oz
Operating Voltage Range:	9 – 36 Vdc
Input Power – position/nav (@28V):	7.7 W
Input Power – strobe (@28V):	35 W (peak)
Input Current – position/nav - RED (@28V):	0.27 A
Input Current – position/nav - GREEN (@28V):	0.20 A
Input Current – strobe (@28V):	1.25 A
Repetition Flash Rate of Strobe:	50 cycles per minute
Ambient temperature:	from -55°C to +85°C / from -67°F to +185°F
Recommended size of mounting screw:	M5, stainless steel recommended. Length depends upon placement location on wing tips.

Supplied cable:

Wire Type is AWG 20 / 0.812 mm

Length of pigtail wires is 7 inches / 177,8 mm

Wire length from base of unit 10.00 inch min.

VCCP - AWG 20, Positive power supply line for position (RED)

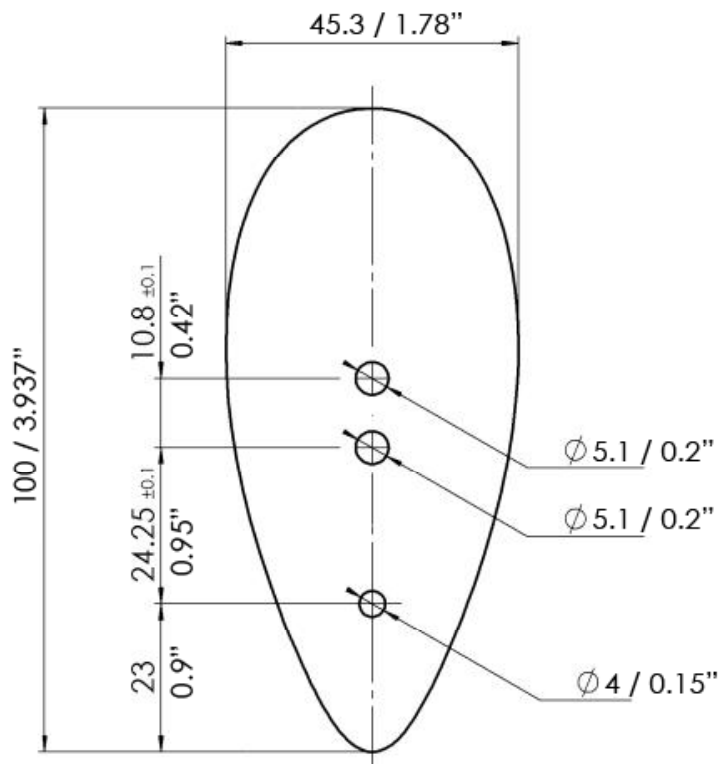
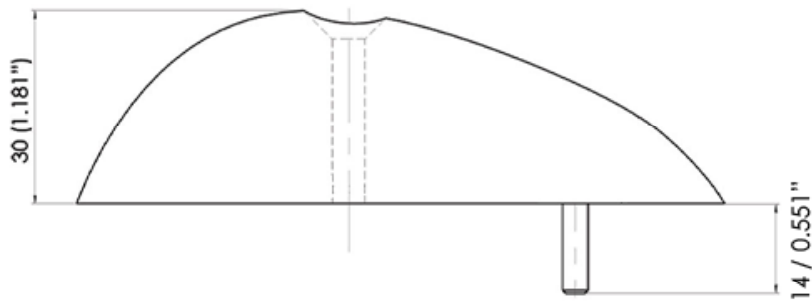
VCCS - AWG 20, Positive power supply line for strobe (YELLOW)

GND - AWG 20, Common negative power supply line (BLACK)

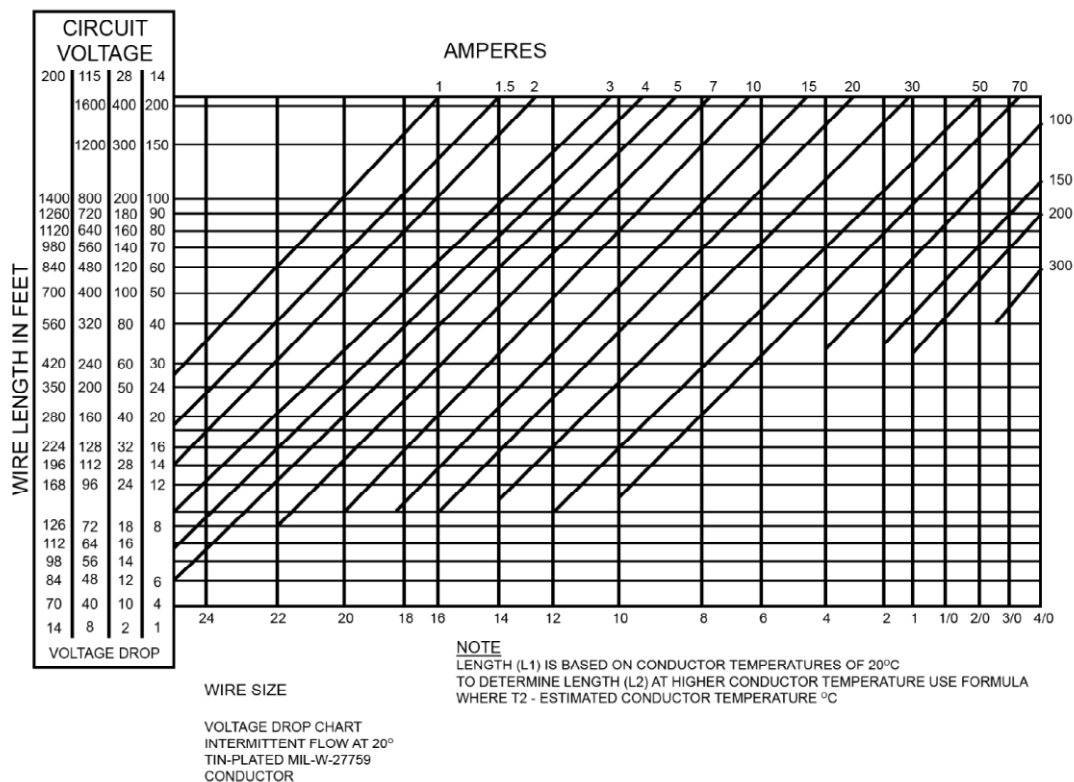
SYNC - AWG 22, Synchronization line (BLUE)

Reverse polarity protected	YES
Waterproof	YES
Vibration-proof	YES
Shock-proof	YES
Dust-proof	YES
Over Voltage protected	YES

5. TECHNICAL DRAWING



6. WIRING CHART



7. TESTING THE FUNCTION OF THE AVEO AURORA/GALACTICA SERIES LIGHTS BEFORE INSTALLATION

All Aveo Aviation lights undergo rigorous testing prior to being released from our engineering manufacturing department. This testing involves a burn-in time as well as other function testing. No light is released for sale without undergoing this extensive operational testing.

When you receive the Aveo Galactica/Aurora Series Aviation Lights, and wish to test the function of the lights prior to installation on your aircraft, please note the following:

1. Please review the written information that is enclosed in the packaging. Warranty information as well as a cautionary note about power supply removal is enclosed with each package.
2. Remove the lights from the package. Note that there are four (4) wires coming from each light. These wires are:
 - a. Black wire – Ground wire (negative lead)
 - b. Red wire – Position/Navigation light function wire (positive lead)
 - c. Yellow wire – Strobe light function wire (positive lead)
 - d. Blue wire – used if the synchronization of the Aveo lights is selected
3. Testing of the function of each light can be done with a regular 12V/5A dc power supply (not a battery chargers). Connect the black wire to the ground (negative) leads of a power supply, then connect the red wire to the positive (+) leads on the power supply.

The position/navigation light, either red or green on the front side and white on the back side should light up. While the red wire is still in contact with the positive side of the power supply, connect the yellow wire to the positive lead. Both the position/navigation part of the light and the strobe function should work. To test the strobe function separately, just connect the yellow wire only to the positive terminal of the power supply while the black wire is connected the ground side of the power supply. Connecting the blue wires from each light together (and not to the ground or positive terminals on the battery) should show that the lights are flashing together and indicates the synchronization feature is working properly. When installed on the aircraft, using the aircraft's power (14 or 28 volts), the lights will be at their maximum intensity.

After testing, the lights can be installed on the aircraft.

IMPORTANT NOTES:

1. Under no circumstances should any power supply other than a 9-36V DC, or a 12/24 volt battery be used to test the lights. Do not use: Battery chargers, battery back-up power devices, or other bench avionics testing methods to test the aviation lights. The lights are functional between 9 and 36 volts. Use of a battery charger or other power unit to test the lights will void the warranty and may damage the lights.
2. All power supplies for existing strobe lights, flasher beacons, etc. are required to be removed from the aircraft prior to the installation of the Aveo lights.

If you have any questions about the installation of the lights, please refer to our web site: www.aveoengineering.com

8. CARE AND CLEANING OF YOUR AVEO ENGINEERING AVIATION LIGHTS

When you receive your Aveo Engineering Aviation Lights, they will have been factory polished and ready to install on the aircraft. Upon installation, just give the lights a good coat or two of a quality automotive polish. This should protect the lights from dirt and other environmental factors. Once or twice a month, just refresh the polish and hand buff to bring back the lights to factory like new condition.

If the lights need a deeper cleaning, they can be polished with a good automotive cleaner wax and/or a liquid polishing compound. The liquid polishing compounds can normally be found at automotive parts stores or an automotive paint store. After using a polishing compound, just give the lights another coat of an automotive polish and you will again protect the lights against dirt, etc.. An electric buffing machine, with a lamb's wool cover, can also be used for deeper cleaning and polishing. Under no circumstances should any petroleum based product be used to clean the lights.