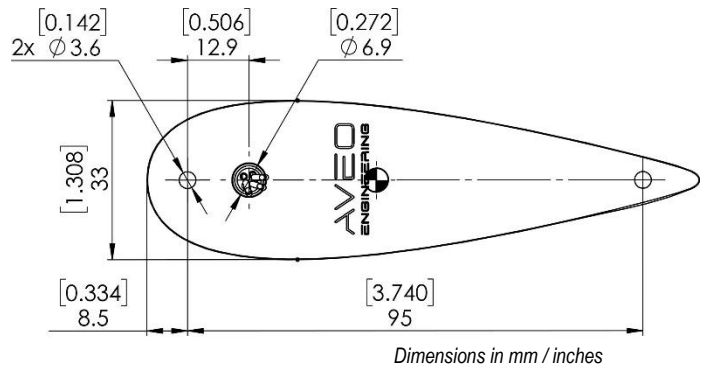


AirBurst NG DayLite™

Anti-collision LED light (Red or Green)



Drawing



Specification

Dimensions (mm): 115 mm x 33 mm x 26 mm

Dimensions (inches): 4.539" x 1.308" x 1.024"

Weight: 68 g / 2.39 oz

Operating Voltage Range: 9 – 36 V DC

Input Current (peak)

Red: 1.5A @ 14V, 0.8A @ 28V

Green: 1.9A @ 14V, 0.9A @ 28V

Input Power (peak)

Red: 21W @ 14V, 22W @ 28V

Green: 26W @ 14V, 26W @ 28V

Recommended size of mounting screw: M3 / DIN 7984, stainless steel recommended. Length depends upon placement location on wing tips.

Torque requirement for screw M3 / DIN 7984: 0.5 Nm / 0.3688 ft-lb

Repetition Rate of Strobe: 50 cycles per minute

Ambient Temperature: from -55°C to +85°C
from -67°F to +185°F

Overheat Protection: Yes (+85°C / +185°F)

Reverse Polarity Protection: Yes

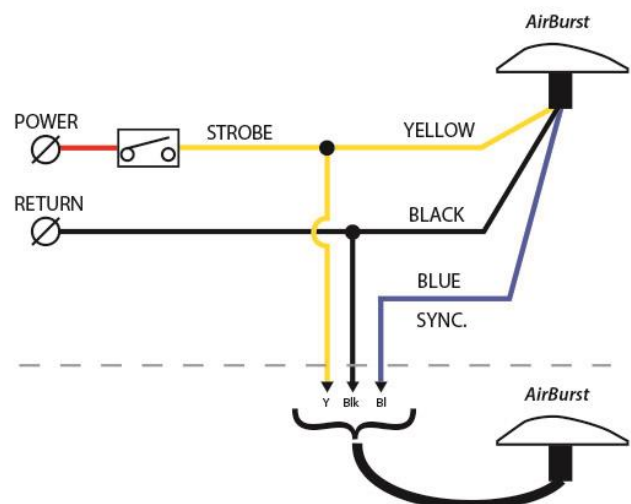
Transient Voltage Protection: No

Under-Voltage Protection: No

Over-Voltage Protection: No

Waterproof, Dust-proof,
Vibration-proof: Yes

Wiring Diagram



NOT APPROVED FOR INSTALLATION ON CERTIFIED AIRCRAFT
THIS IS NOT A TSO/ETSO CERTIFIED LIGHT

AirBurst NG DayLite™

Anti-collision LED light (Red or Green)

Color options!



Black

P/N Red: AVE-ABSYR-D01

P/N Green: AVE-ABSYG-D01



White

P/N Red: AVE-ABSYR-DW1

P/N Green: AVE-ABSYG-DW1



Red/Green

P/N Red: AVE-ABSYR-DR1

P/N Green: AVE-ABSYG-DG1

Color of LEDs	Color of Gasket			
	Black	White	Red	Green
Red	AVE-ABSYR-D01	AVE-ABSYR-DW1	AVE-ABSYR-DR1	-
Green	AVE-ABSYG-D01	AVE-ABSYG-DW1	-	AVE-ABSYG-DG1