

Colors:

Silver anodizing – AVE-BVSLV-001

Black anodizing – AVE-BVBLK-001

Material:

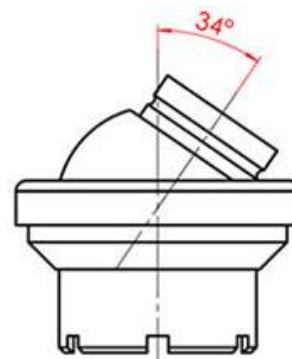
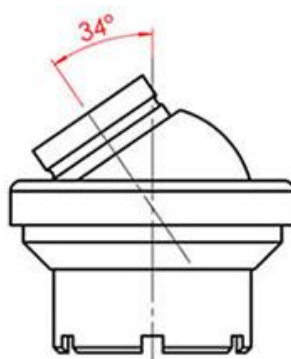
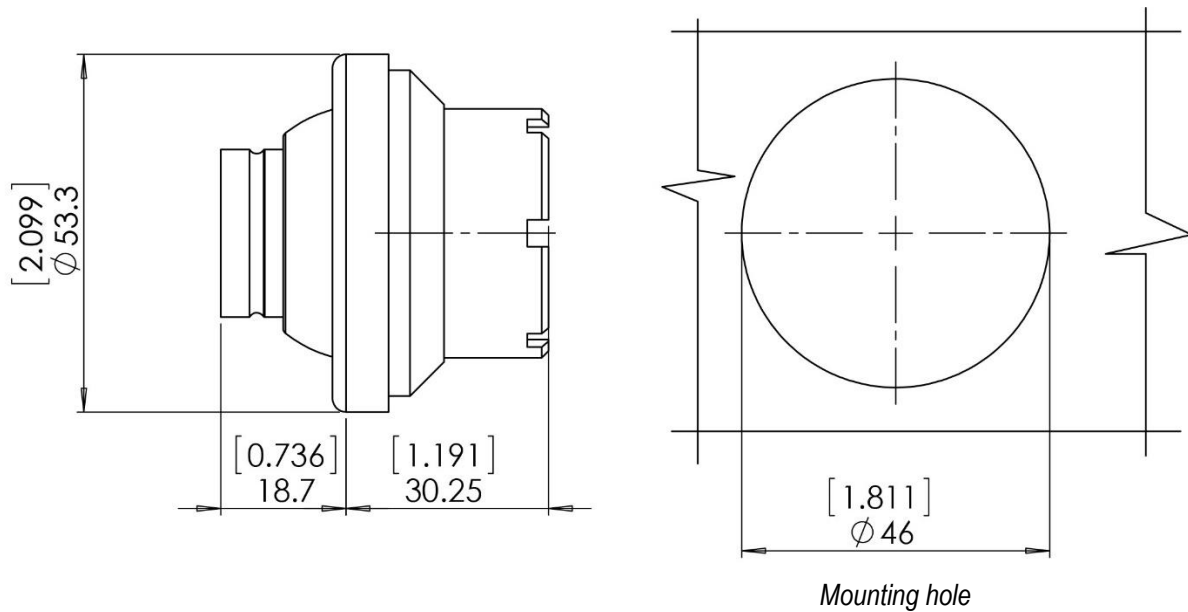
Anodized Aluminium

Weight:

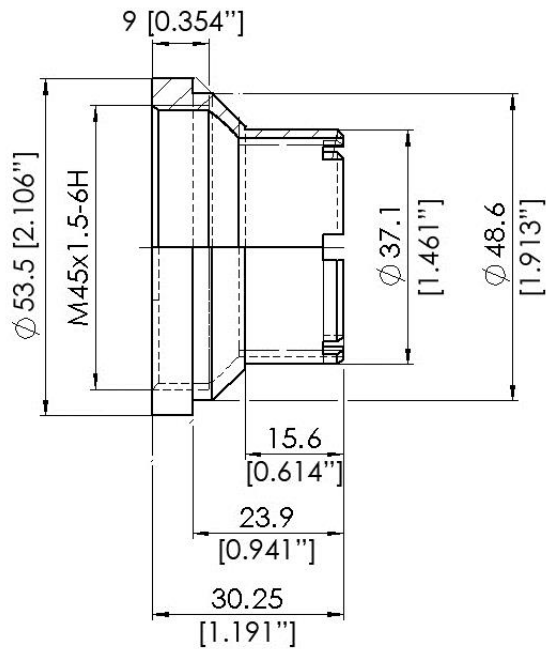
approx 79 g / 2.787 oz



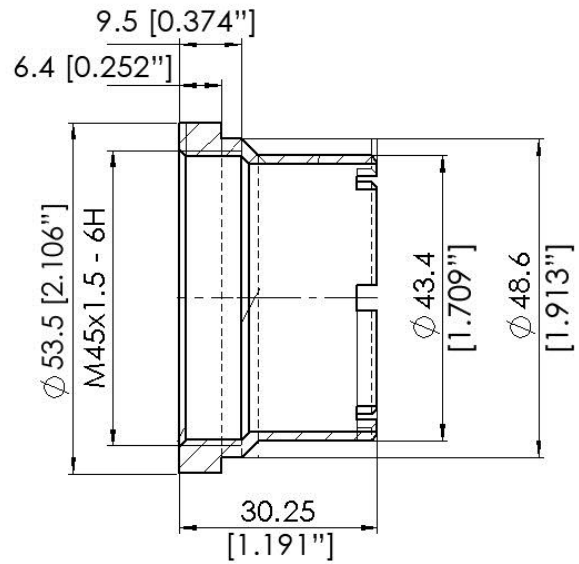
Drawing



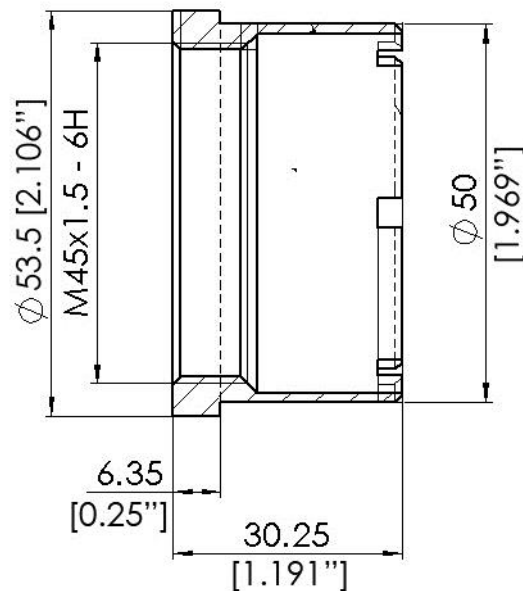
PN: AVE-BVBP-150 Ball Vent Rear Part 1 ½"



PN: AVE-BVBP-170 Ball Vent Rear Part 1 ¾"



PN: AVE-BVBP-200 Ball Vent Rear Part 2"



Dimensions in mm [inches]