

Colors:

Silver anodizing – AVE-BVSLV-001

Black anodizing – AVE-BVBLK-001

Material:

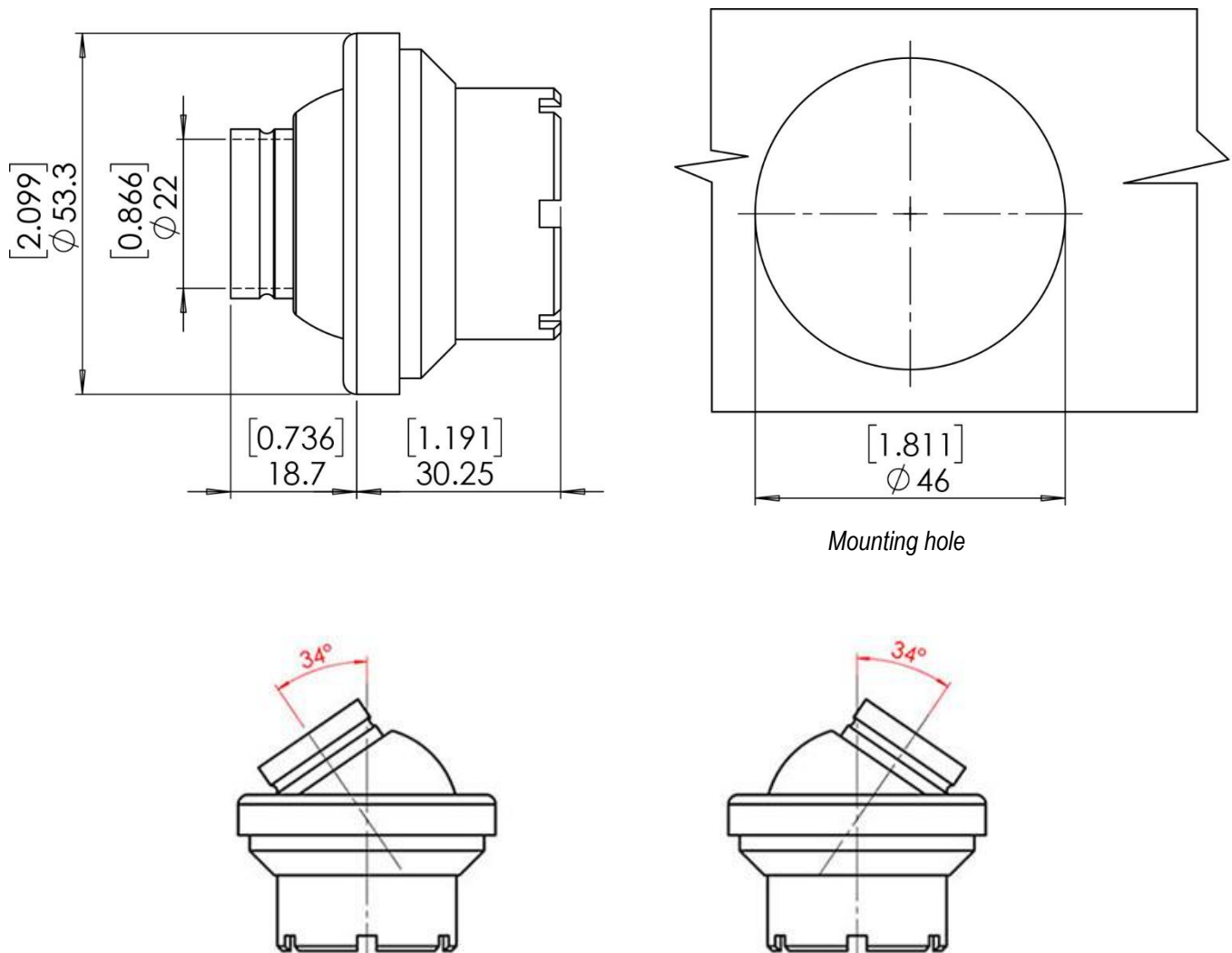
Anodized Aluminium

Weight:

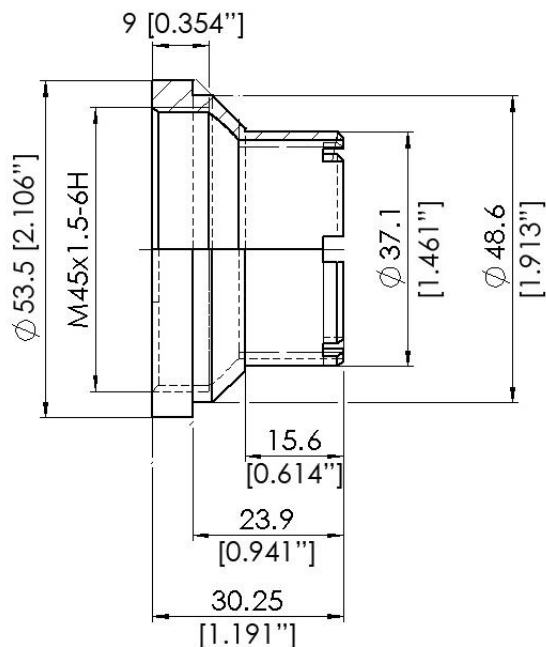
approx 79 g / 2.787 oz



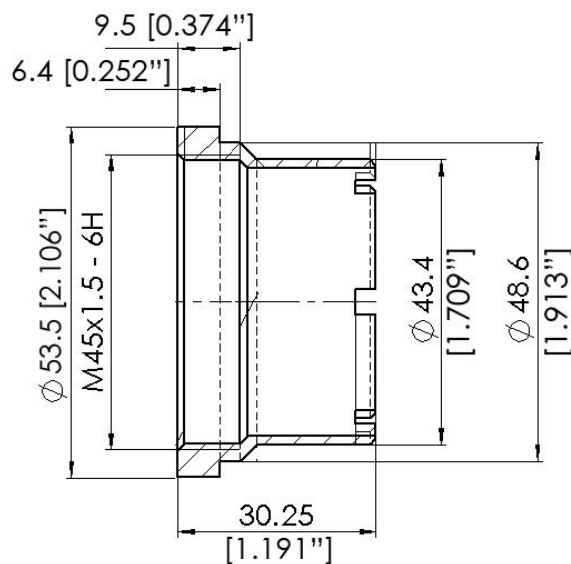
Drawing



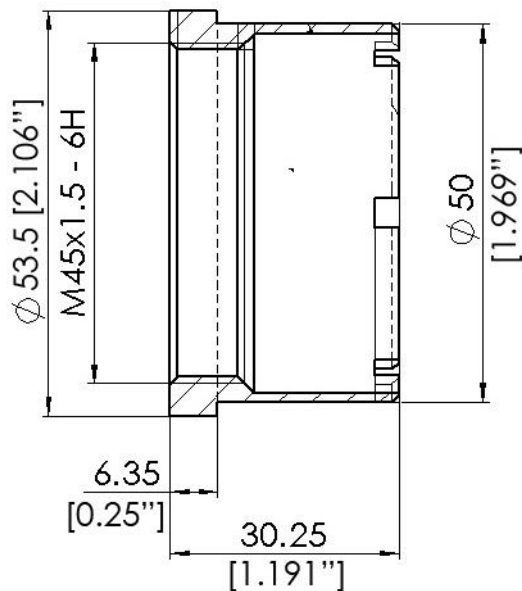
PN: AVE-BVBP-150 Ball Vent Rear Part 1 ½"



PN: AVE-BVBP-170 Ball Vent Rear Part 1 ¾"



PN: AVE-BVBP-200 Ball Vent Rear Part 2"



Dimensions in mm [inches]

Velocity [ft/min]	1000	1500	2000	2500	3000	3500	4000
CFM	4.09	6.14	8.18	10.23	12.28	14.32	16.37
Static Pressure [in H ₂ O]	0.13	0.28	0.48	0.74	1.06	1.43	1.83
Projection [ft] at 100 [ft/min]	4.19	6.16	8.97	11.45	11.60	11.70	11.95
Projection [ft] at 200 [ft/min]	2.17	3.12	4.07	5.03	6.01	7.03	8.24
Projection [ft] at 400 [ft/min]	1.15	1.63	2.08	2.57	3.03	3.52	4.00

Airflow CFM:

Standard air density and isothermal conditions

Static Pressure:

Inches of water gauge required

Projection:

Projection distance (THROW) in feet from the Nozzle discharge at which the maximum velocity has been reduced to specified terminal velocity (Vt).