

CARINA B7™

Cargo LED light



Specification

Dimensions (mm):	102.5 x 40.5
Dimensions (inches):	4.035" x 1.594"
Operating Voltage Range:	18-36VDC
Input Power:	22.4W@28VDC
Input Current:	0.8A@28VDC

Intensity

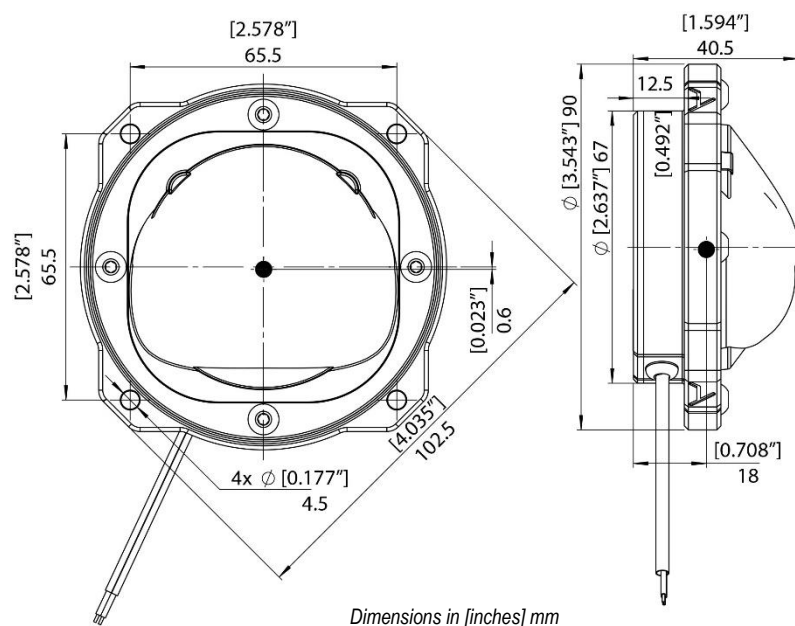
Full Beam Angle (at 50% of max light intensity):

0°-180° plane **160°**

0°-270° plane **152°**

Light Intensity: **350 cd**

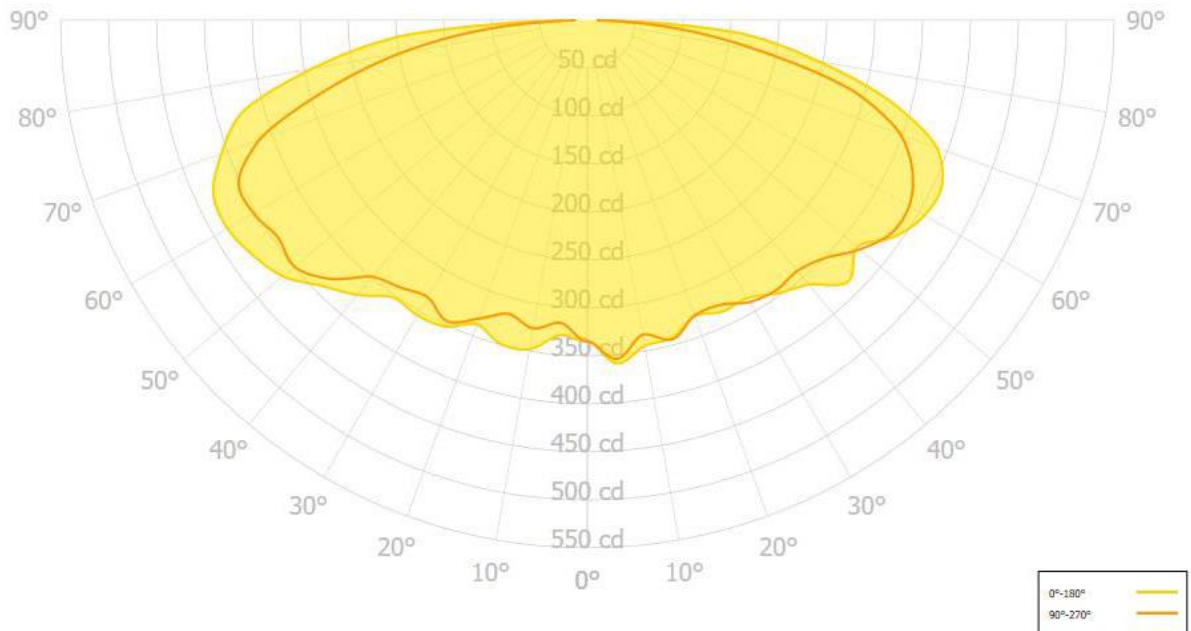
Drawing



CARINA B7™

Cargo LED light

Optic Simulation



Horizontal Illuminance

Mounting height: 3 m

