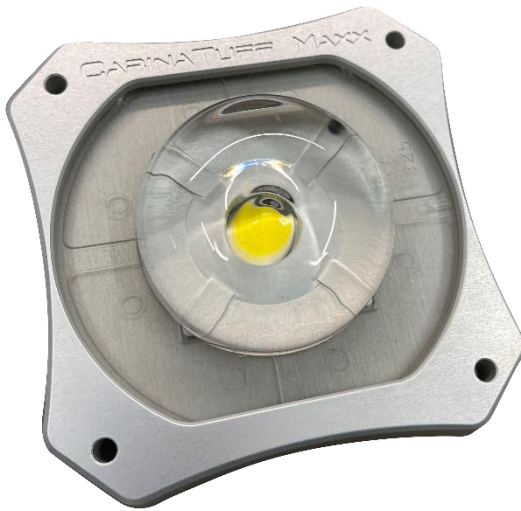


CARINA TUFF MAXX™

Cargo LED light

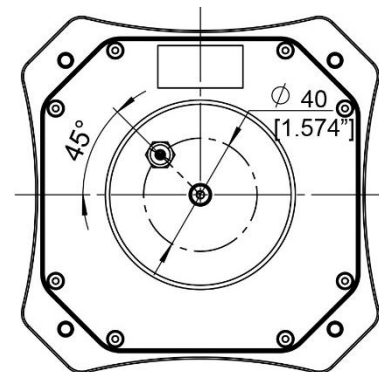


Intensity (see diagrams on next page)

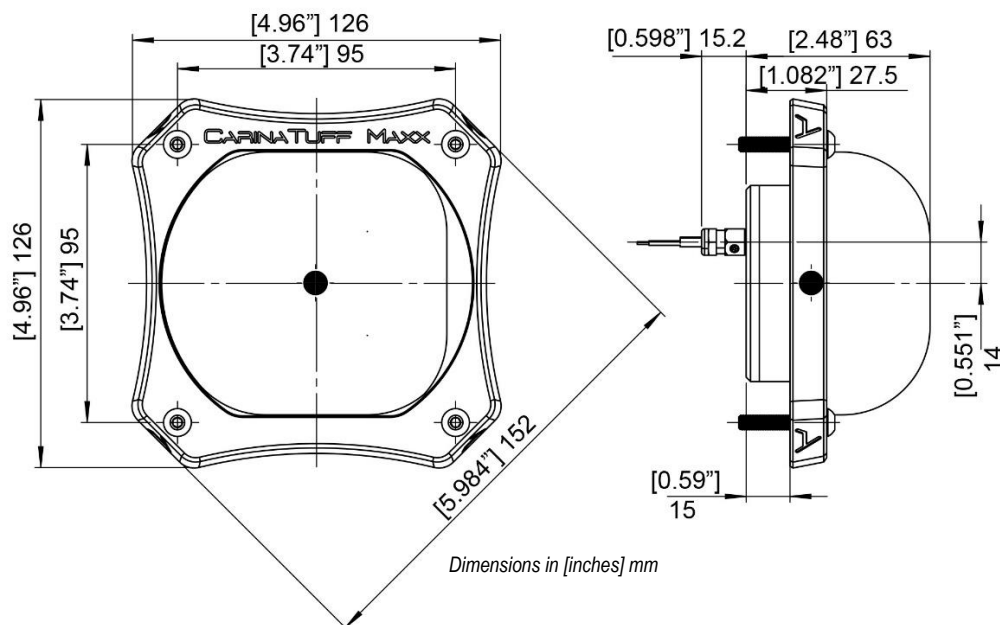
P/N	Peak light intensity
AVE-CTMW-DS01	787 cd
AVE-CTMW-DS02	1 897 cd
AVE-CTMW-DS03	1 267 cd
AVE-CTMW-DS04	1 030 cd
AVE-CTMW-DS05	1 120 cd
AVE-CTMW-DS06	1 020 cd
AVE-CTMW-DS07	1 557 cd
AVE-CTMW-DS08	972 cd
AVE-CTMW-DS09	590 cd

Specification

Dimensions:	See drawing below
Operating Voltage Range:	9-36VDC
Input Power:	22.4W@28VDC
Input Current:	0.8A@28VDC



Drawing

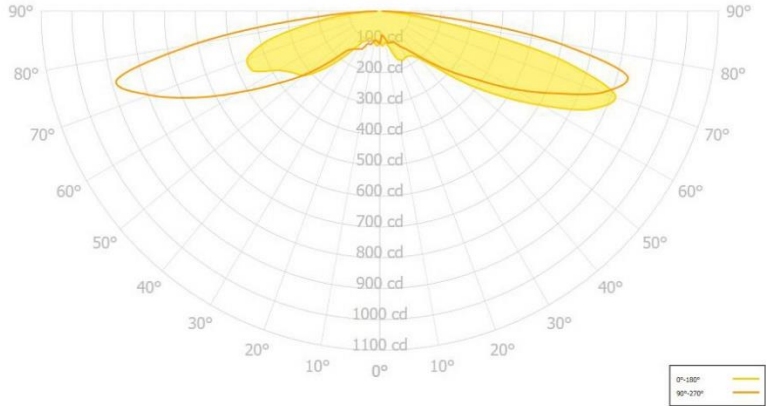
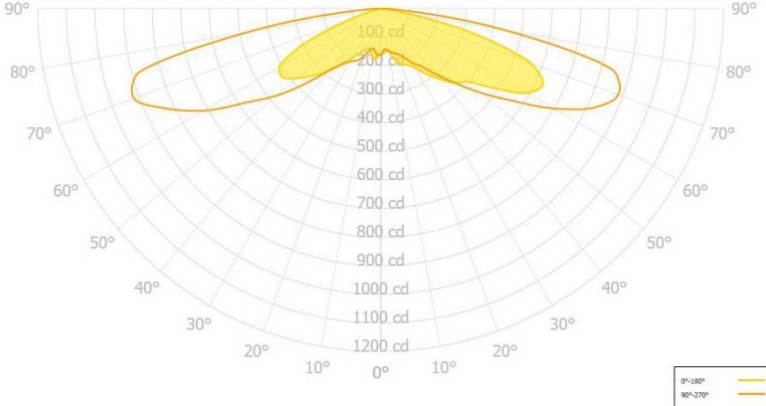
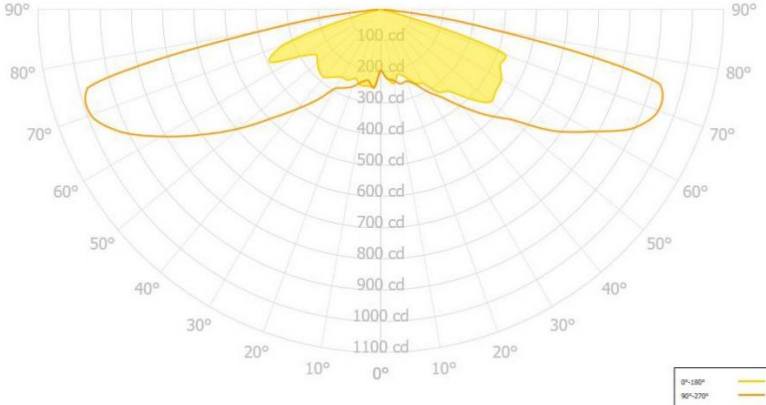


Optic Simulation

<p>AVE-CTMW-DS01 Full Beam Angle (at 50% of max light intensity): 0° - 180° plane 160° 90° - 270° plane 160° Peak light intensity 787 cd</p>	
<p>AVE-CTMW-DS02 Full Beam Angle (at 50% of max light intensity): 0° - 180° plane 135° 90° - 270° plane 156° Peak light intensity 1897 cd</p>	
<p>AVE-CTMW-DS03 Full Beam Angle (at 50% of max light intensity): 0° - 180° plane 145° 90° - 270° plane 160° Peak light intensity 1267 cd</p>	

CARINA TUFF MAXX™

Cargo LED light

<p>AVE-CTMW-DS04 Full Beam Angle (at 50% of max light intensity): 0° - 180° plane 150° 90° - 270° plane 155° Peak light intensity 1030 cd</p>	 <p>A light distribution diagram for the AVE-CTMW-DS04 model. The diagram is a semi-circular plot with a vertical axis from 0° to 90° and a horizontal axis from 0° to 180°. Concentric circles represent light intensity in candelas (cd), ranging from 100 cd at the center to 1100 cd at the outer edge. Two yellow shaded regions represent the beam spread: a horizontal beam for the 0°-180° plane and a vertical beam for the 90°-270° plane. The horizontal beam is wider than the vertical beam. A legend in the bottom right corner shows a yellow line for 0°-180° and a yellow line for 90°-270°.</p>
<p>AVE-CTMW-DS05 Full Beam Angle (at 50% of max light intensity): 0° - 180° plane 140° 90° - 270° plane 155° Peak light intensity 1120 cd</p>	 <p>A light distribution diagram for the AVE-CTMW-DS05 model. The diagram is a semi-circular plot with a vertical axis from 0° to 90° and a horizontal axis from 0° to 180°. Concentric circles represent light intensity in candelas (cd), ranging from 100 cd at the center to 1200 cd at the outer edge. Two yellow shaded regions represent the beam spread: a horizontal beam for the 0°-180° plane and a vertical beam for the 90°-270° plane. The horizontal beam is narrower than the vertical beam. A legend in the bottom right corner shows a yellow line for 0°-180° and a yellow line for 90°-270°.</p>
<p>AVE-CTMW-DS06 Full Beam Angle (at 50% of max light intensity): 0° - 180° plane 140° 90° - 270° plane 155° Peak light intensity 1020 cd</p>	 <p>A light distribution diagram for the AVE-CTMW-DS06 model. The diagram is a semi-circular plot with a vertical axis from 0° to 90° and a horizontal axis from 0° to 180°. Concentric circles represent light intensity in candelas (cd), ranging from 100 cd at the center to 1100 cd at the outer edge. Two yellow shaded regions represent the beam spread: a horizontal beam for the 0°-180° plane and a vertical beam for the 90°-270° plane. The horizontal beam is wider than the vertical beam. A legend in the bottom right corner shows a yellow line for 0°-180° and a yellow line for 90°-270°.</p>

CARINA TUFF MAXX™

Cargo LED light

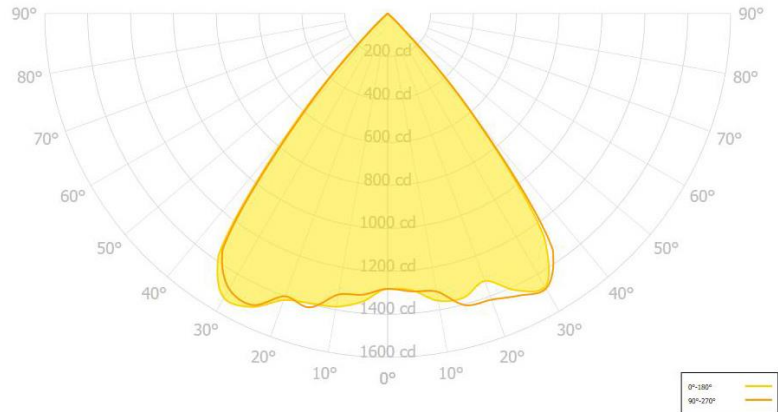
AVE-CTMW-DS07

Full Beam Angle (at 50% of max light intensity):

0° - 180° plane **78°**

90° - 270° plane **78°**

Peak light intensity **1557 cd**



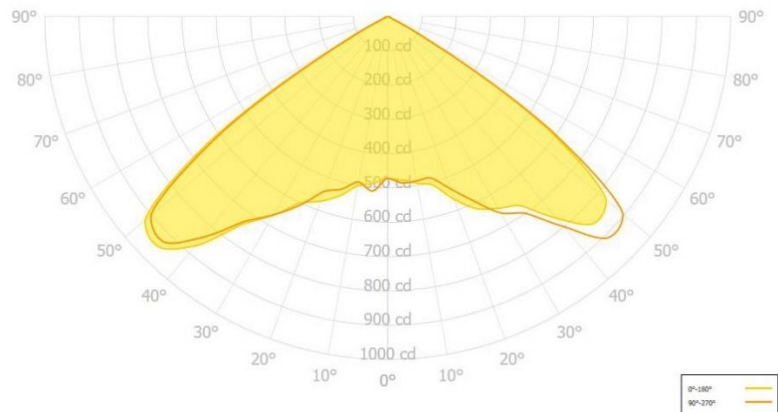
AVE-CTMW-DS08

Full Beam Angle (at 50% of max light intensity):

0° - 180° plane **78°**

90° - 270° plane **78°**

Peak light intensity **972 cd**



AVE-CTMW-DS09

Full Beam Angle (at 50% of max light intensity):

0° - 180° plane **124°**

90° - 270° plane **127°**

Peak light intensity **590 cd**

