

ANDROMEDA DAYLITE

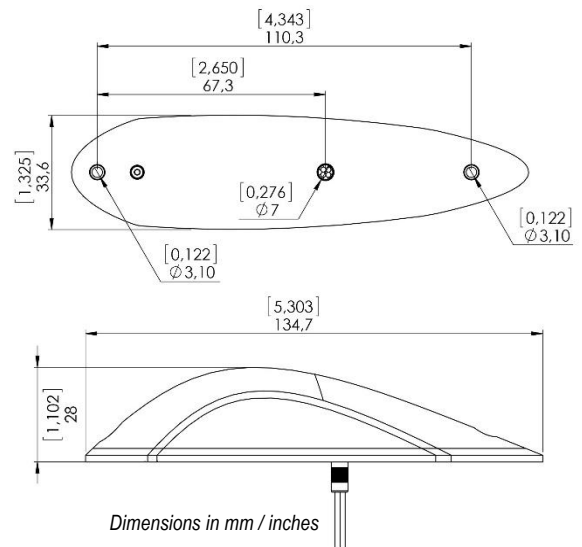
Navigation / Position / Strobe LED light



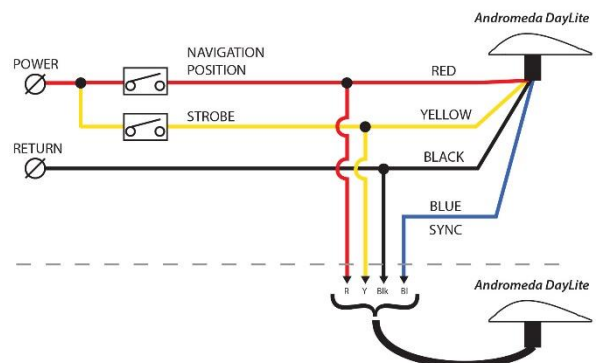
Drawing

| | |
|--|---|
| Dimensions (mm): | 134,7 x 33,6 x 28 |
| Dimensions (inches): | 5.303" x 1.325" x 1.102" |
| Weight: | 85 g / 3 oz |
| Operating Voltage Range: | 9 – 18 V DC |
| Input Current – Position / Nav - green (@14V): | 0.43 A |
| Input Current – Position / Nav - red (@14V): | 0.33 A |
| Input Current – Strobe (@14V): | 1.65 A peak |
| Output Power – Position / Nav - green: | 5.2 W |
| Output Power – Position / Nav - red: | 4 W |
| Output Power – Strobe: | 20 W peak |
| Repetition Rate of Strobe: | 50 cycles per minute |
| Ambient Temperature: | from -40°C to +85°C from -40°F to +185°F |
| Overheat Protection: | Yes |
| Recommended size of mounting screw: | M3 |
| Reverse Polarity Protection: | Yes |
| Transient Voltage: | 50 V DC for 1s |
| Under-Voltage Protection: | Yes |
| Over-Voltage Protection: | Yes |
| Waterproof, Dust-proof, Shock-proof, Vibration-proof: | Yes |

Specification



Wiring Diagram



**NOT APPROVED FOR INSTALLATION ON CERTIFIED AIRCRAFT
THIS IS NOT A TSO CERTIFIED LIGHT**