

DroneV GS™

World's Smallest, Lightest and Brightest 3-in-1 Light for UAVs and Larger Drone

**Navigation Green
Navigation Red
Rear Position White
Strobe Green**

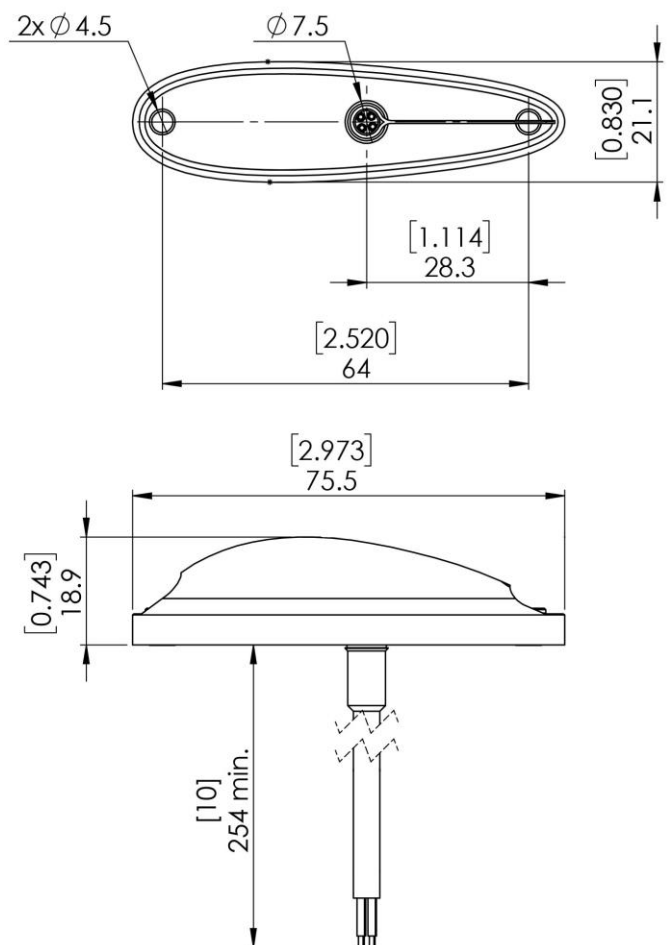
Incredibly tiny micro-circuitry featuring all the proprietary advantages of Aveo technology are packed into an extremely light aerodynamic form factor.



Specification

Dimensions (mm):	75.5 mm x 21.1 mm x 18.9 mm
Dimensions (inches):	2.973" x 0.830" x 0.744"
Weight:	30 g / 1.058 oz
Operating Voltage Range:	9 – 18 VDC
Input Current – Nav/Position:	0.2 A @14V
Input Current – Strobe:	0.36 A @14V (peak)
Average Current Consumption per Frame – Strobe:	0.06 A
Input Power – Nav/Position:	2.8 W @14V
Input Power – Strobe:	5.04 W @14V (peak)
Repetition Rate of Strobe:	48 cycles per minute
Fuse (Circuit Breaker) Recommendation:	2.5 A for position 2.5 A for strobe
Operating Temperature:	from -40°C to +85°C from -40°F to +185°F
Overheat Protection:	Yes (+85°C / +185°F)
Recommended Size of Mounting Screw:	M3, #6-32
Reverse Polarity Protection:	Yes
Transient Voltage:	50V/1s
Under-Voltage Protection (lockout):	No
Over-Voltage Protection (lockout):	No
Waterproof, Dust-proof, Vibration-proof:	Yes

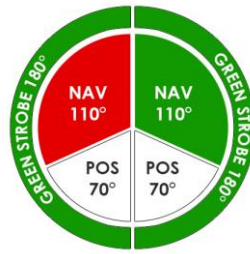
Drawing



Dimensions in mm / inches

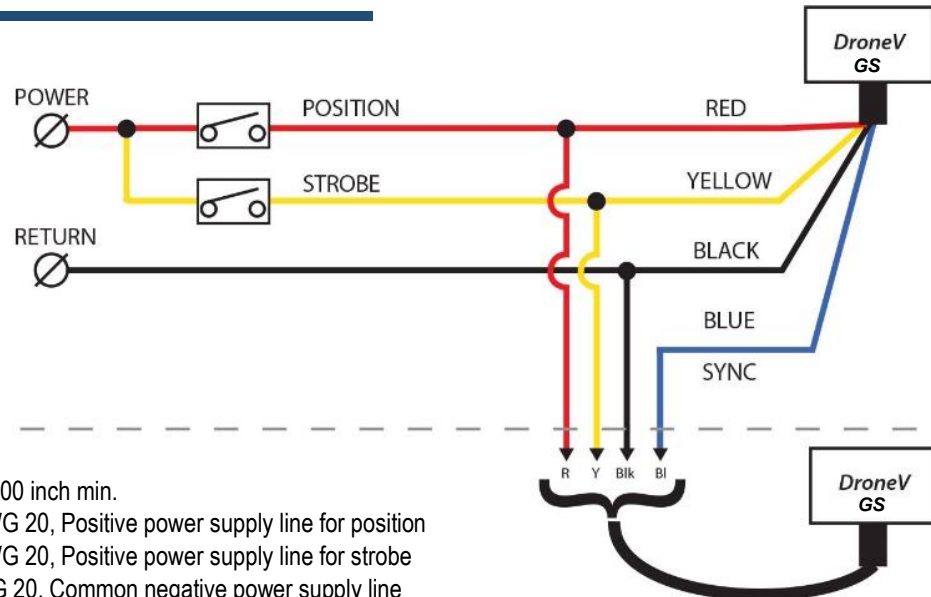
**NOT APPROVED FOR INSTALLATION ON CERTIFIED AIRCRAFT
THIS IS NOT A TSO CERTIFIED LIGHT**





DroneV GS™

Wiring Diagram



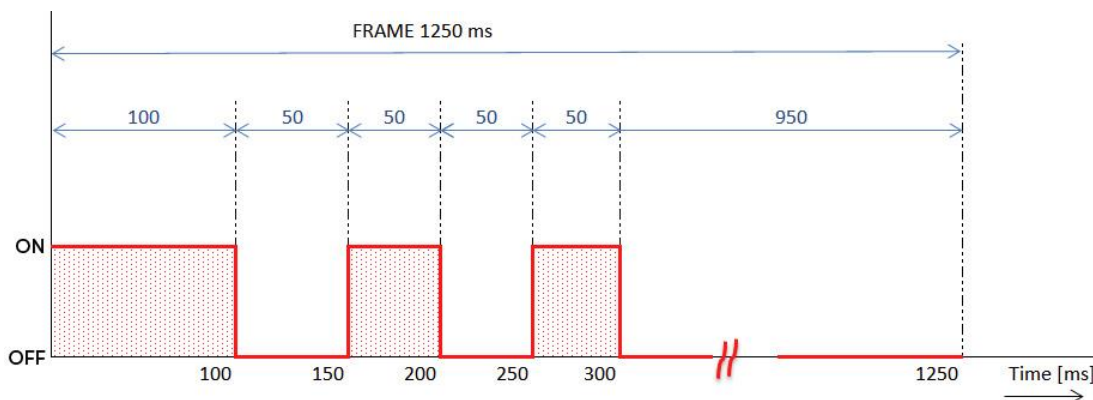
Wire length from base of unit 10.00 inch min.

- RED** - VCCP - AWG 20, Positive power supply line for position
- YELLOW** - VCCS - AWG 20, Positive power supply line for strobe
- BLACK** - GND - AWG 20, Common negative power supply line
- BLUE** - SYNC - AWG 20, Synchronization line

Note:

- No external power supply or strobe unit
- Light synchronisation feature - Connecting the blue wires from each Aveo light together (and not to the ground or positive terminals on the battery) should make that the lights are flashing together
- All lights with common SYNC must be powered.

Rate of Strobe:



**NOT APPROVED FOR INSTALLATION ON CERTIFIED AIRCRAFT
THIS IS NOT A TSO CERTIFIED LIGHT**