

DroneV™

World's Smallest, Lightest and Brightest 3-in-1 Light for UAVs and Larger Drone

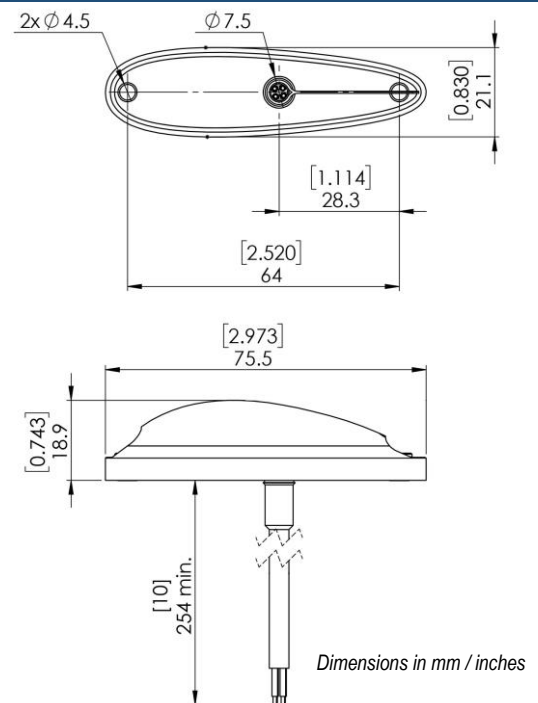
Incredibly tiny micro-circuitry featuring all the proprietary advantages of Aveo technology are packed into an extremely light aerodynamic form factor. Featuring 2019 CREE latest highest efficiency LEDs.



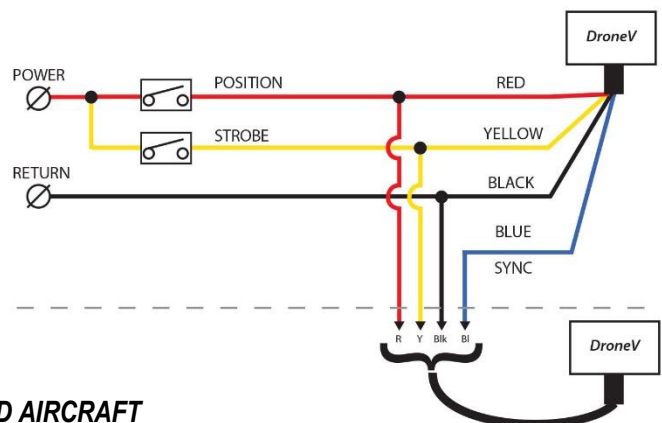
Specification

Dimensions:	See drawing on the right
Weight:	29 g / 1.02 oz
Operating Voltage Range:	12 – 14 V DC
Input Current – Position (@14V):	0.175 A
Input Current – Strobe (@14V):	0.35 A
Output Power – Position:	2 W
Output Power – Strobe:	4W peak
Repetition Rate of Strobe:	48 cycles per minute
Ambient Temperature:	from -40°C to +85°C from -40°F to +185°F
Overheat Protection:	Yes (+85°C / +185°F)
Reverse Polarity Protection:	Yes
Waterproof, Dust-proof, Vibration-proof:	Yes

Drawing



Wiring Diagram



**NOT APPROVED FOR INSTALLATION ON CERTIFIED AIRCRAFT
THIS IS NOT A TSO CERTIFIED LIGHT**