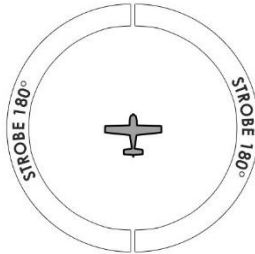


# GLIDERBURST DAYLITE

P/N: AVE-WLSOEA-20D Mod (1)

## Strobe LED light

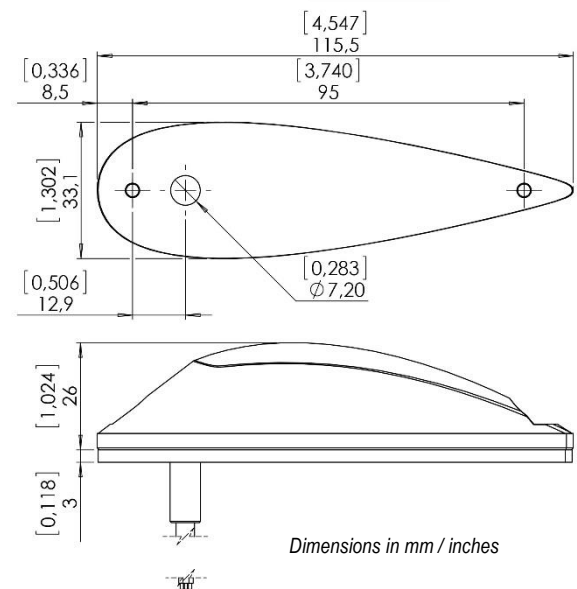
At only 26 millimeters in height (1.024 inch) the new GliderBurst™ DayLite is a value light that does not sacrifice anything in performance or standards as other economy-priced lights offered by the competition. Our exclusive and highly advanced optics and chrome reflector system, our unmatched power and LED management circuitry and our famous lowest-drag profile in the industry are all combined into a product that gives you unmatched POWER and FEATURES. Lower, narrower and shorter PLUS much lighter than industry lights in this category!



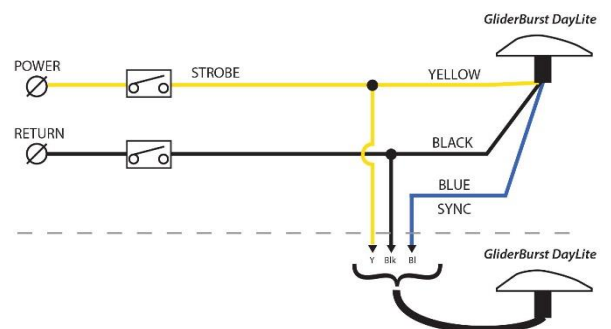
## Specification

Dimensions (mm):	115 mm x 33 mm x 26 mm
Dimensions (inches):	4.547" x 1.302" x 1.024"
Weight:	70 g / 2.47 oz
Operating Voltage Range:	9 – 36 V DC
Input Current – Strobe (@14V):	2 A peak
Output Power – Strobe:	24 W peak
Repetition Rate of Strobe:	50 cycles per minute
Ambient Temperature:	from -40°C to +85°C from -40°F to +185°F
Overheat Protection:	Yes
Recommended size of mounting screw:	M3
Reverse Polarity Protection:	Yes
Transient Voltage:	60V / 2s
Under-Voltage Protection:	Yes
Over-Voltage Protection:	Yes
Waterproof, Dust-proof, Shock-proof, Vibration-proof:	Yes

## Drawing



## Wiring Diagram



**NOT APPROVED FOR INSTALLATION ON CERTIFIED AIRCRAFT  
THIS IS NOT A TSO CERTIFIED LIGHT**