

PICOMAX™

RED LEDS PN: AVE-ML5SR-D01
WHITE LEDS PN: AVE-ML5SW-D01

Beacon LED light – White or Red

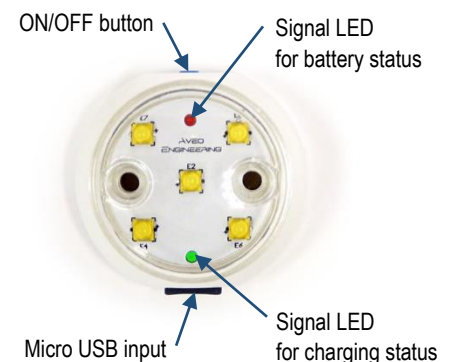
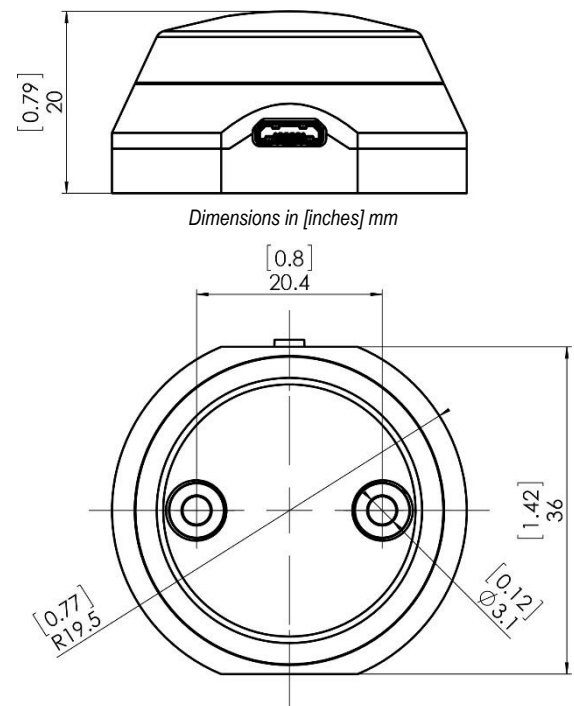
Aveo introduces the ultimate small drone strobe light, PicoMax™, a cousin of its highly successful MicroMax™ defense industry strobe for UAVs. Battery operated with DC adapter recharging, the PicoMax™ will strobe for longer than your drone flies on its charge. Exceeding the 2 nautical mile standard, the PicoMax™ actually surpasses 3 nm, and due to its proprietary Aveo firmware and circuitry it offers the brightest and fully airworthy tested features for the serious drone operator. PicoMax™ comes in either red or white strobe color.



Specification

Dimensions (mm):	20 mm x 36 mm
Dimensions (inches):	0.79" x 1.42"
Weight with battery (g):	13 g
Weight with battery (oz):	0.46 oz
Input Voltage:	3 – 4.2V (Li-Pol – 80 mAh)
Output Power (white):	approx. 3.2 W Peak
Output Power (red):	approx. 2.2 W Peak
Battery Time:	approx. 60 min
Charging time via USB (90mA charging current):	approx. 60 min
Repetition Rate of Strobe:	50ms ON, 50ms OFF, 50ms ON, 850ms OFF
Ambient Temperature:	from -20°C to +65°C from -4°F to +149°F
Overheat Protection:	YES (+70°C)
Other Features:	<ul style="list-style-type: none"> ○ Microcontroller drive ○ Pushbutton ON/OFF ○ Auto OFF when full discharge ○ Signal LED for battery charge status ○ Charge status (one blink 100%-40%, two blink 40%-20%, four blink 20%-0%) ○ Signal LED for charging status (ON when charging, OFF when full charge) ○ Micro USB Charging
Micro USB Pin Allocation:	1 – 5V 2 – Synchro 3 – RF 5 – GND

Drawing



**NOT APPROVED FOR INSTALLATION ON CERTIFIED AIRCRAFT
THIS IS NOT A TSO CERTIFIED LIGHT**