

RedBaron Mini DayLite™

RED LEDS PN: AVE-RBMPR-0SA Mod (1)
WHITE LEDS PN: AVE-RBMPW-0SA Mod (1)

Anti-collision LED light – White or Red

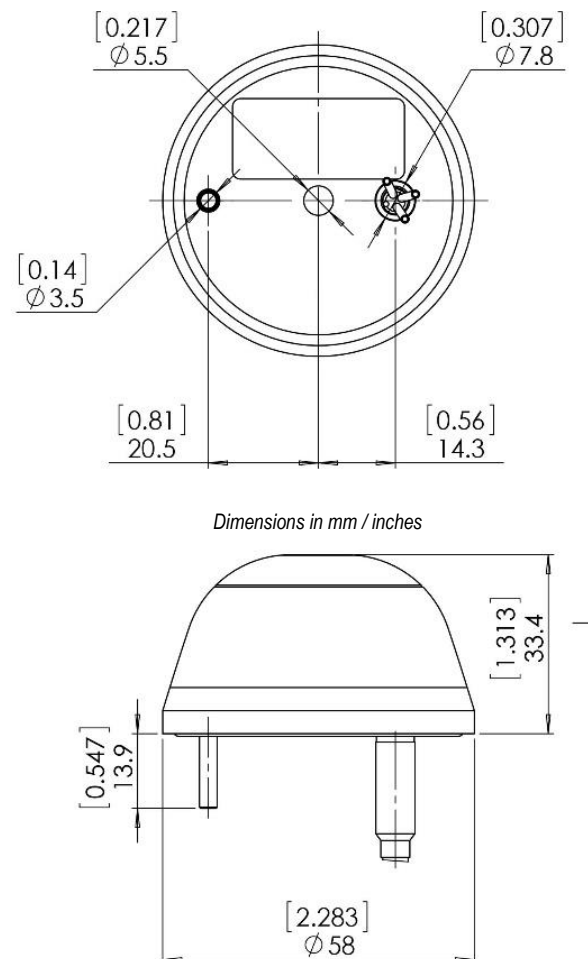
At only 33.4 millimeters in height (1.313 inch) the new RedBaron Mini DayLite™ is a value light that does not sacrifice anything in performance or standards as other economy - priced lights offered by the competition. Our exclusive and highly advanced optics and chrome reflector system, our unmatched power and led management circuitry and our famous lowest-drag profile in the industry are all combined into a product that gives you unmatched POWER and FEATURES. Lower, narrower and shorter PLUS much lighter than industry lights in this category!



Specification

Dimensions (mm):	58 mm x 58 mm x 33,4 mm
Dimensions (inches):	2.283" x 2.283" x 1.313"
Weight (g):	130 g
Weight (oz):	4.585 oz
Operating Voltage Range:	9 – 36 VDC
Input Current – Red Strobe:	2.0 A @14V, 1.2 A @28V
Input Current – White Strobe:	2.54 A @14V, 1.68 A @28V
Input Power – Red Strobe:	28.0 W @14V, 33.6 W @28V
Input Power – White Strobe:	35.6 W @14V, 47.0 W @28V
Repetition Rate of Strobe:	50 cycles per minute
Ambient Temperature:	from -55°C to +85°C from -67°F to +185°F
Overheat Protection:	Yes (+85°C / +185°F)
Recommended size of mounting screw:	M5x45mm (DIN912) or equivalent (Torque 3.0 Nm [2lb ft])
Reverse Polarity Protection:	Yes
Transient Voltage:	60V
Under-Voltage Protection (lockout):	Yes (9V)
Over-Voltage Protection (lockout):	Yes (36V)
Waterproof, Dust-proof, Shock-proof, Vibration-proof:	Yes

Drawing

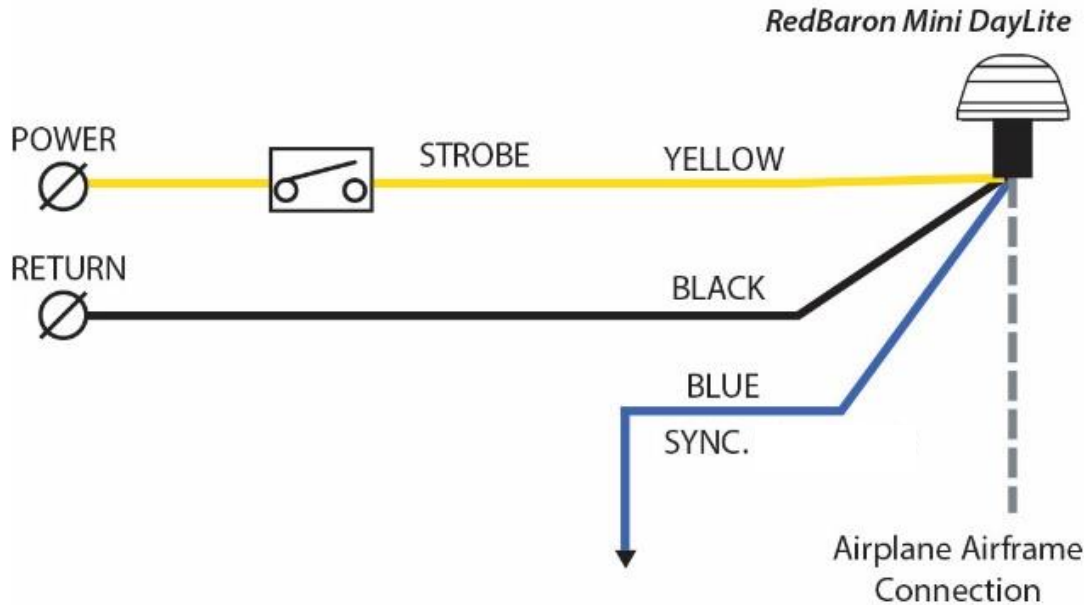


**NOT APPROVED FOR INSTALLATION ON CERTIFIED AIRCRAFT
THIS IS NOT A TSO CERTIFIED LIGHT**

RedBaron Mini DayLite™

RED LEDS PN: AVE-RBMPR-0SA Mod (1)
WHITE LEDS PN: AVE-RBMPW-0SA Mod (1)

Wiring Diagram



Wire length from base of unit 10.00 inch min.

- YELLOW** - VCCS - AWG 20, Positive power supply line for strobe
BLACK - GND - AWG 20, Common negative power supply line
BLUE - SYNC - AWG 22, Synchronization line

Note:

- No external power supply or strobe unit
- Light synchronisation feature - Connecting the blue wires from each Aveo light together (and not to the ground or positive terminals on the battery) should make that the lights are flashing together
- All lights with common SYNC must be powered.



**NOT APPROVED FOR INSTALLATION ON CERTIFIED AIRCRAFT
THIS IS NOT A TSO CERTIFIED LIGHT**