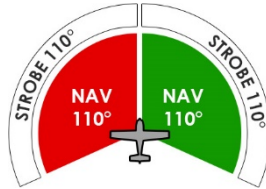


ULTRA EMBEDDED DAYLITE™

P/N: AVE-WPSR/G-64T Mod (3)

Navigation / Strobe LED light

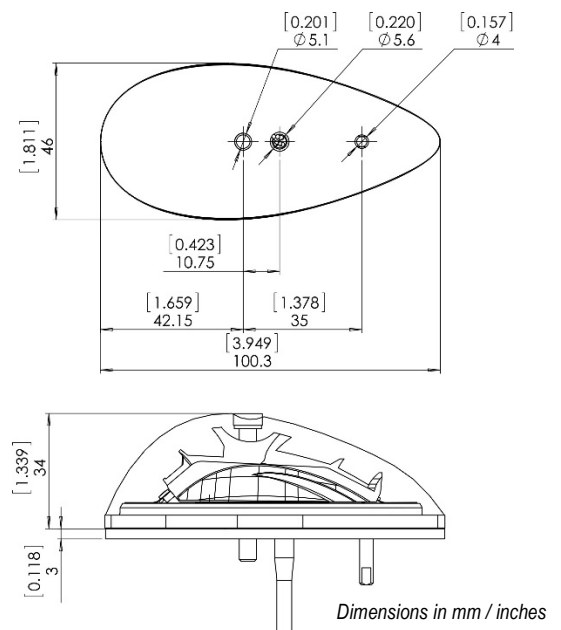
At only 34 millimeters in height (1.34 inch) the new Ultra Embedded DayLite is a value light that does not sacrifice anything in performance or standards as other economy-priced lights offered by the competition. Our exclusive and highly advanced optics and chrome reflector system, our unmatched power and led management circuitry and our famous lowest-drag profile in the industry are all combined into a product that gives you unmatched POWER and FEATURES. Lower, narrower and shorter PLUS much lighter than industry lights in this category!



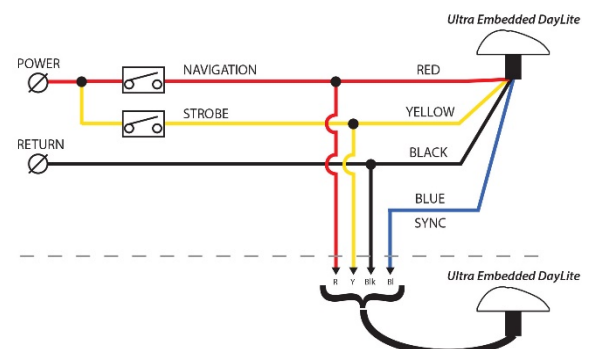
Specification

Dimensions (mm):	100.3 mm x 46 mm x 34 mm
Dimensions (inches):	3.949" x 1.811" x 1.339"
Weight:	127 g / 4.48 oz
Operating Voltage Range:	9 – 36 V DC
Input Current – Nav – green:	0.22A @28V, 0.44A @14V, 0.73A @9V
Input Current – Nav – red:	0.17A @28V, 0.31A @14V, 0.5A @9V
Input Current – Strobe:	1.25A @28V, 2.1A @14V, 2.4A @9V
Output Power – Nav – green:	5.6 W
Output Power – Nav – red:	3.3 W
Output Power – Strobe:	21.4 W (@9-18 V DC) 32.1 W (@18-36 V DC)
Repetition Rate of Strobe:	50 cycles per minute
Ambient Temperature:	from -55°C to +85°C from -67°F to +185°F
Overheat Protection:	Yes (+85°C)
Recommended size of mounting screw:	M5
Reverse Polarity Protection:	Yes
Maximum Transient Voltage:	80 V at 2 sec max, both polarities
Under-Voltage Protection:	Yes
Over-Voltage Protection:	Yes
Waterproof, Dust-proof, Shock-proof, Vibration-proof:	Yes

Drawing



Wiring Diagram



**NOT APPROVED FOR INSTALLATION ON CERTIFIED AIRCRAFT
THIS IS NOT A TSO/ETSO CERTIFIED LIGHT**