

Pacifica II Mini™

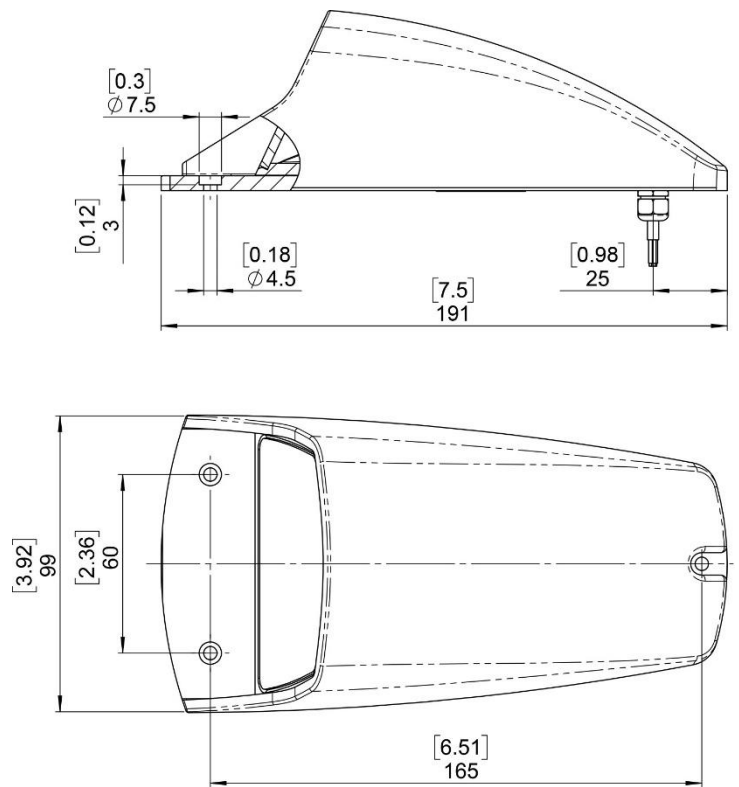
Underwing or under fuselage landing or taxi light



Specification

| | |
|--|---|
| Dimensions (mm): | 191 x 99 mm |
| Dimensions (inches): | 7.5" x 3.92" |
| Operating Voltage Range: | 10 - 36 VDC |
| Input Power: | 5 W @28 VDC 4.6 W @14 VDC |
| Input Current (at 25°C): | 0.18 A @28 VDC 0.33 A @14 VDC |
| Intensity / Beam Angle: | |
| Lens 3°+3°: | 40,000 cd + 40,000 cd |
| Lens 3°+10°: | 40,000 cd + 18,000 cd |
| Lens 3°+28°: | 40,000 cd + 3,500 cd |
| Lens 3°+37x9°- elliptical: | 40,000 cd + 3,600 cd |
| Ambient Temperature: | from -40°C to +85°C from -40°F to +185°F |
| Transient Voltage: | 2 seconds +80V |
| Under-Voltage Lockout: | +9 VDC, not more |
| Over-Voltage Lockout: | +36 VDC, not less |
| Color: | White finish Black finish Primer – base color |
| Weight: | 490 g / 17.28 oz |
| Waterproof, Dust-proof, Vibration-proof: | Yes |
| Pacifica II Mini – 3°+3° – WHITE | AVE-PFM2W-WU1 |
| Pacifica II Mini – 3°+3° – BLACK | AVE-PFM2W-BU1 |
| Pacifica II Mini – 3°+3° – PRIMER | AVE-PFM2W-PU1 |
| Pacifica II Mini – 3°+10° – WHITE | AVE-PFM2W-WN1 |
| Pacifica II Mini – 3°+10° – BLACK | AVE-PFM2W-BN1 |
| Pacifica II Mini – 3°+10° – PRIMER | AVE-PFM2W-PN1 |
| Pacifica II Mini – 3°+28° – WHITE | AVE-PFM2W-WM1 |
| Pacifica II Mini – 3°+28° – BLACK | AVE-PFM2W-BM1 |
| Pacifica II Mini – 3°+28° – PRIMER | AVE-PFM2W-PM1 |
| Pacifica II Mini – 3°+37x9° – WHITE | AVE-PFM2W-WE1 |
| Pacifica II Mini – 3°+37x9° – BLACK | AVE-PFM2W-BE1 |
| Pacifica II Mini – 3°+37x9° – PRIMER | AVE-PFM2W-PE1 |

Dimensional Drawing



Dimensions in [inches] mm