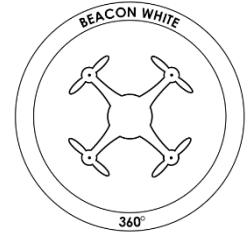
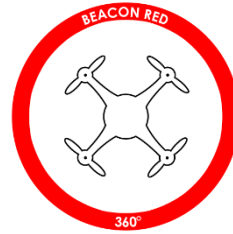


Piccolo DV™

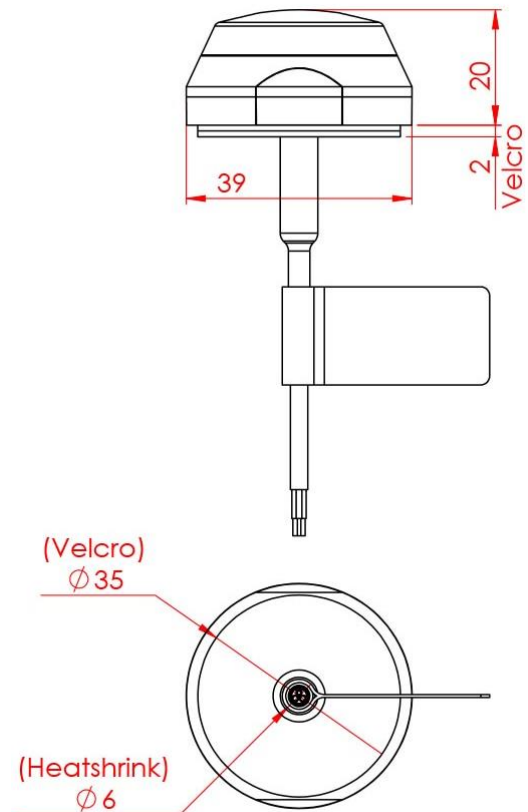
Tiny Anti-collision LED Light for Drones



Specification

Dimensions (mm):	39 mm x 39 mm x 20 mm
Dimensions (inches):	1.54" x 1.54" x 0.79"
Weight:	17 g / 0.6 oz
Operating Voltage Range:	5 – 9 VDC
Input Current (peak):	0.75A @5V
Input Power (peak):	3.75W @5V
Repetition Rate of Strobe:	50 cycles per minute
Ambient Temperature:	from -40°C to +85°C from -40°F to +185°F
Overheat Protection	Yes
Reverse Polarity Protection	Yes
Transient Voltage	24V
Waterproof, Dust-proof, Vibration-proof	Yes

Drawing

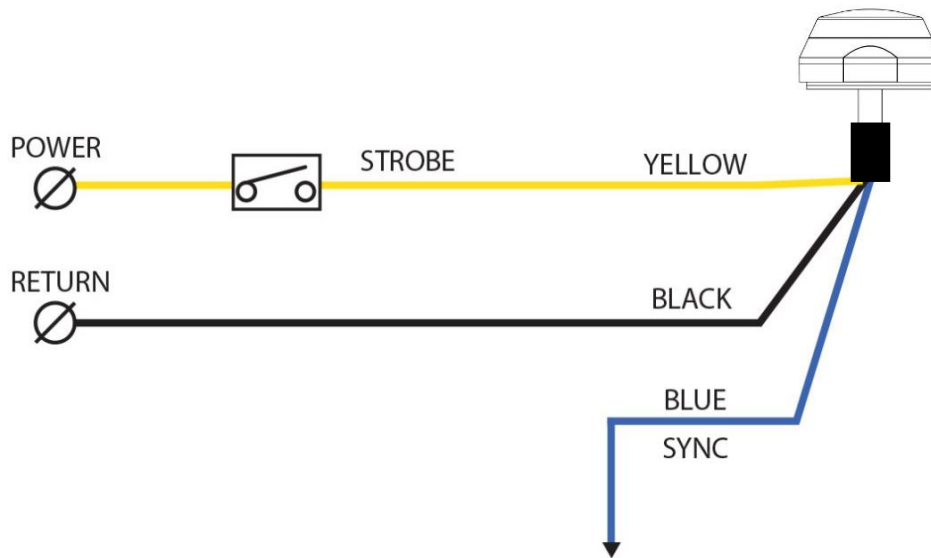


Dimensions in mm

**NOT APPROVED FOR INSTALLATION ON CERTIFIED AIRCRAFT
THIS IS NOT A TSO CERTIFIED LIGHT**

Piccolo DV™

Wiring Diagram



**NOT APPROVED FOR INSTALLATION ON CERTIFIED AIRCRAFT
THIS IS NOT A TSO CERTIFIED LIGHT**