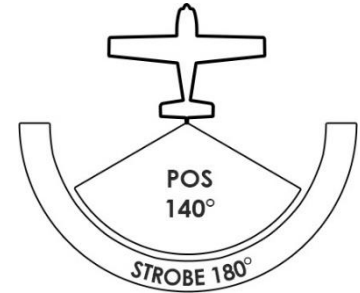
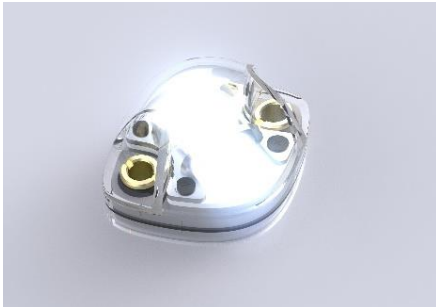


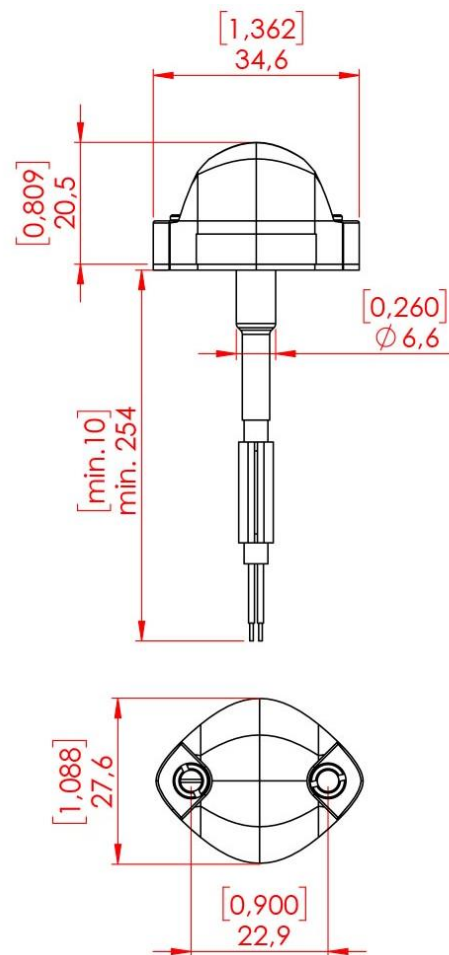
Tiny Rear Position / Strobe LED Light for Drones



Specification

Dimensions (mm):	34.6 mm x 27.6 mm x 20.5 mm
Dimensions (inches):	1.36" x 1.09" x 0.81"
Weight:	16 g / 0.56 oz
Operating Voltage Range:	10 – 18 VDC
Input Current - steady:	0.05A @14V
Input Current - strobe (peak):	0.6A @14V
Input Power - steady:	0.7W @14V
Input Power - strobe (peak):	8.4 W @14V
Repetition Rate of Strobe:	50 cycles per minute
Ambient Temperature:	from -40°C to +85°C from -40°F to +185°F
Overheat Protection	Yes
Reverse Polarity Protection	Yes
Transient Voltage	24V
Waterproof, Dust-proof, Vibration-proof	Yes

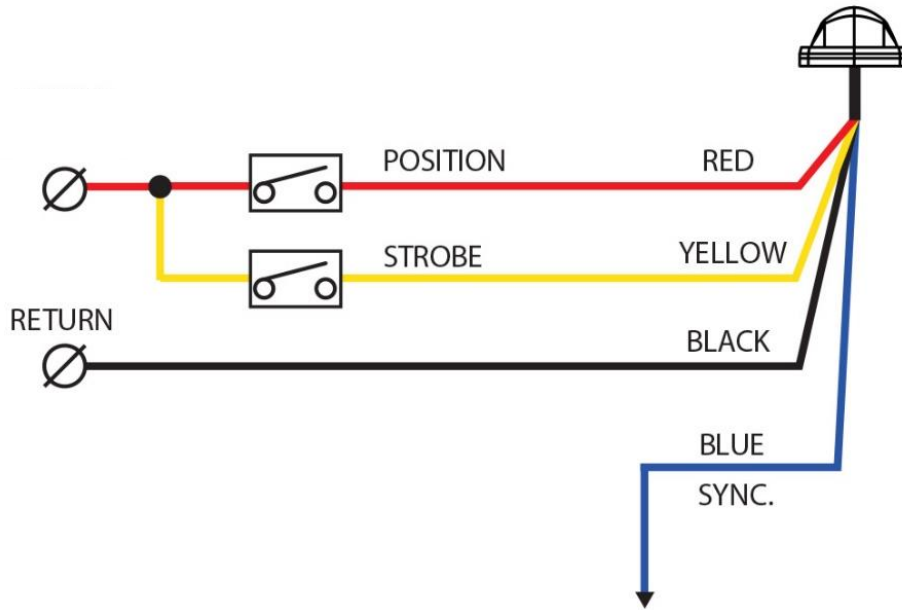
Drawing



Dimensions in mm [inches]

**NOT APPROVED FOR INSTALLATION ON CERTIFIED AIRCRAFT
THIS IS NOT A TSO CERTIFIED LIGHT**

Wiring Diagram



**NOT APPROVED FOR INSTALLATION ON CERTIFIED AIRCRAFT
THIS IS NOT A TSO CERTIFIED LIGHT**