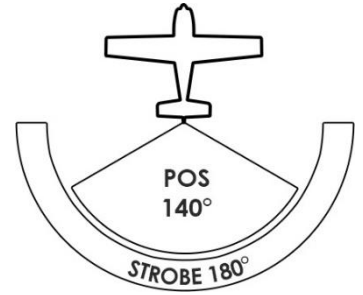


PosiStrobe JP™



Specification

Dimensions (mm): 45.3 mm x 56 mm x 30 mm

Dimensions (inches): 1.785" x 2.206" x 1.18"

Weight: 67 g / 2.363 oz

Operating Voltage Range: 9 – 18 VDC

Input Current – Position: 0.28 A @14V

Input Current – Strobe: 3.5 A @14V (peak)

Average Current Consumption per Frame – Strobe: 0.56 A

Average Current Consumption per Frame – Pos and Strobe: 0.8 A

Input Power – Position 4 W @14V

Input Power – Strobe: 49 W @14V (peak)

Repetition Rate of Strobe: 48 cycles per minute

Fuse (Circuit Breaker) Recommendation: 5A for position
5A for strobe

Operating Temperature: from -55°C to +85°C
from -67°F to +185°F

Overheat Protection: Yes (+85°C / +185°F)

Recommended Size of Mounting Screw: M3, #6-32

Reverse Polarity Protection: Yes

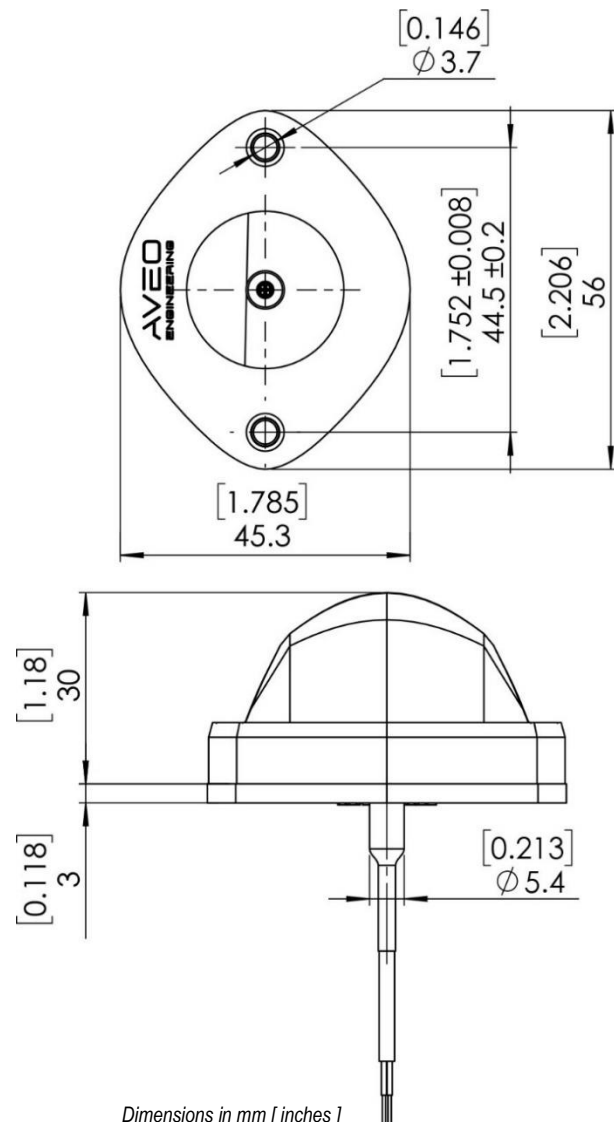
Transient Voltage: 60V at 2sec max, both polarities

Under-Voltage Protection (lockout): Yes (9V)

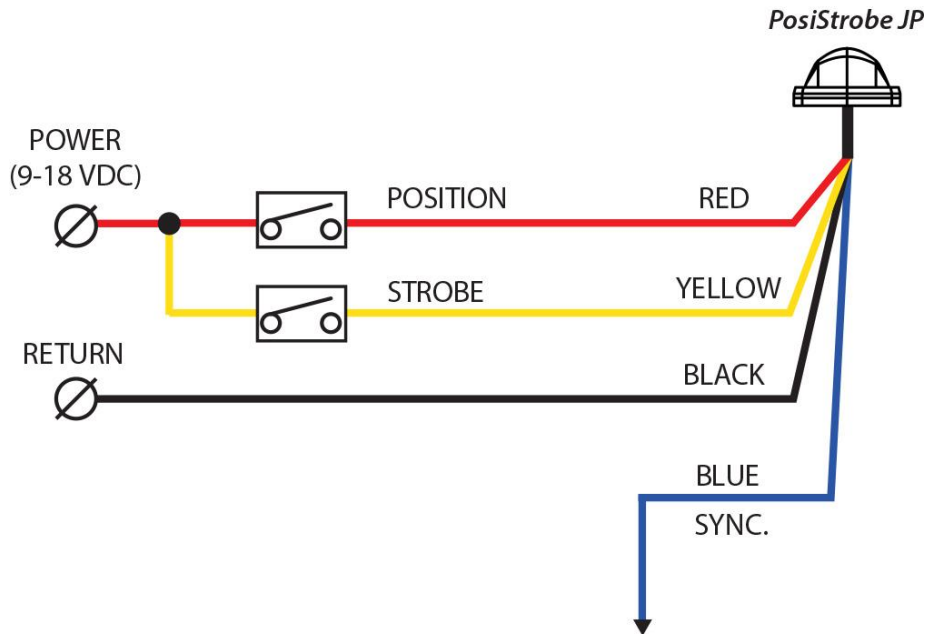
Over-Voltage Protection (lockout): Yes (18V)

Waterproof, Dust-proof, Vibration-proof: Yes

Drawing



Wiring Diagram



Wire length from base of unit 10.00 inch min.

- RED** - VCCP - AWG 20, Positive power supply line for position
- YELLOW** - VCCS - AWG 20, Positive power supply line for strobe
- BLACK** - GND - AWG 20, Common negative power supply line
- BLUE** - SYNC - AWG 20, Synchronization line

Note:

- No external power supply or strobe unit
- Light synchronisation feature - Connecting the blue wires from each Aveo light together (and not to the ground or positive terminals on the battery) should make that the lights are flashing together
- All lights with common SYNC must be powered.

Rate of Strobe:

