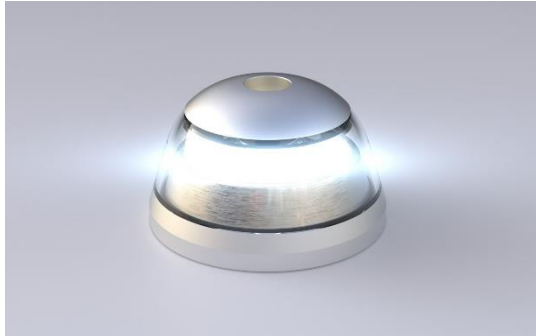


RedBaron Mini NXT™

RED LEDS PN: AVE-RBMXTACR-D01
WHITE LEDS PN: AVE-RBMXTACW-D01

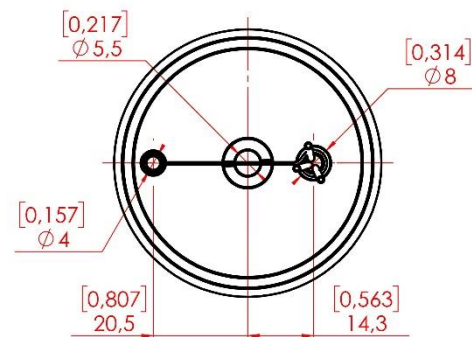
Anti-collision LED light – Red or White



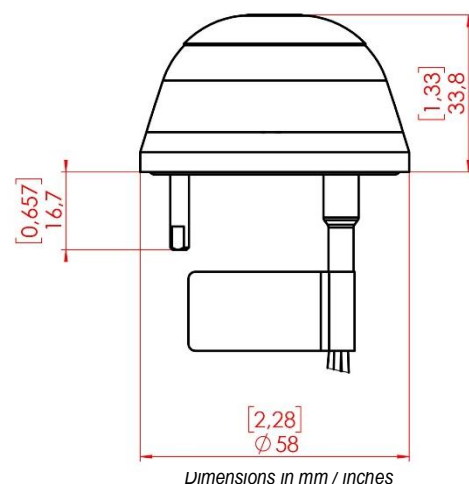
Specification

Dimensions (mm):	58 mm x 58 mm x 33,8 mm
Dimensions (inches):	2.28" x 2.28" x 1.33"
Weight:	70 g / 2.47 oz
Operating Voltage Range:	9 – 18 VDC
Input Current:	2A @14V
Input Power:	28W @14V
Repetition Rate of Strobe:	50 cycles per minute
Ambient Temperature:	from -55°C to +85°C from -67°F to +185°F
Overheat Protection	Yes (+85°C / +185°F)
Reverse Polarity Protection	Yes
Transient Voltage	80V, both polarities
Under-Voltage Protection (lockout)	Yes (7.5V)
Over-Voltage Protection (lockout)	Yes (19.9V)
Waterproof, Dust-proof, Vibration-proof	Yes

Drawing



Dimensions in mm / inches



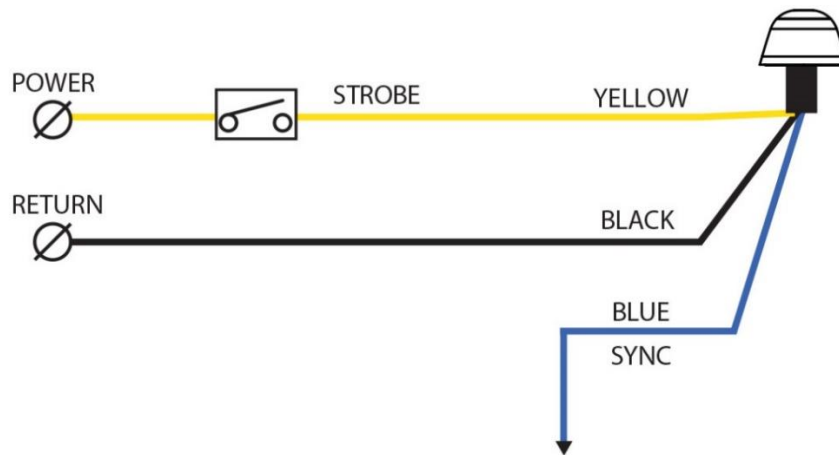
Dimensions in mm / inches

**NOT APPROVED FOR INSTALLATION ON CERTIFIED AIRCRAFT
THIS IS NOT A TSO CERTIFIED LIGHT**

RedBaron Mini NXT™

RED LEDS PN: AVE-RBMXTACR-D01
WHITE LEDS PN: AVE-RBMXTACW-D01

Wiring Diagram



**NOT APPROVED FOR INSTALLATION ON CERTIFIED AIRCRAFT
THIS IS NOT A TSO CERTIFIED LIGHT**