

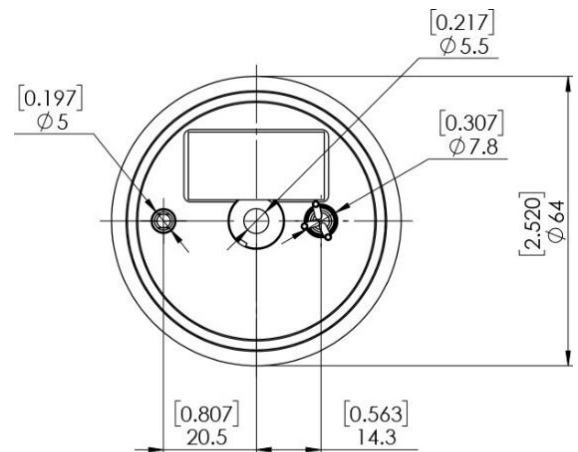
Anti-collision LED light – Red or White



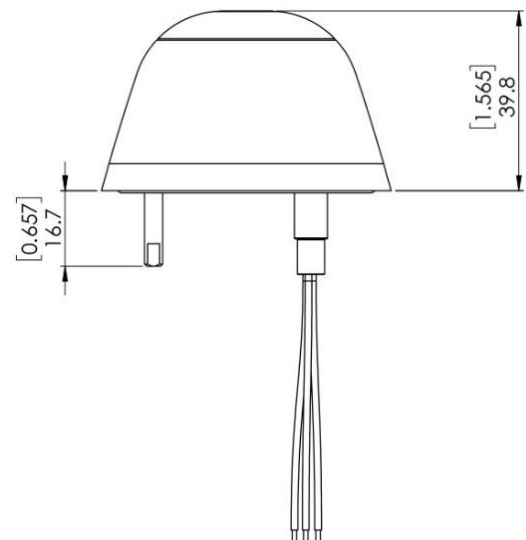
Specification

Dimensions (mm):	64 mm x 64 mm x 39,8 mm
Dimensions (inches):	2.52" x 2.52" x 1.565"
Weight:	90 g / 3.17 oz
Operating Voltage Range:	9 – 18 VDC
Input Current – Red Strobe:	3.2A @14V
Input Current – White Strobe:	4.88A @14V
Input Power – Red Strobe:	44.8W @14V
Input Power – White Strobe:	68.3W @14V
Repetition Rate of Strobe:	50 cycles per minute
Ambient Temperature:	from -55°C to +85°C from -67°F to +185°F
Overheat Protection	Yes (+85°C / +185°F)
Recommended size of mounting screw:	See next page
Reverse Polarity Protection	Yes
Transient Voltage	80V, both polarities
Under-Voltage Protection (lockout)	Yes (7.5V)
Over-Voltage Protection (lockout)	Yes (19.9V)
Waterproof, Dust-proof, Vibration-proof	Yes

Drawing

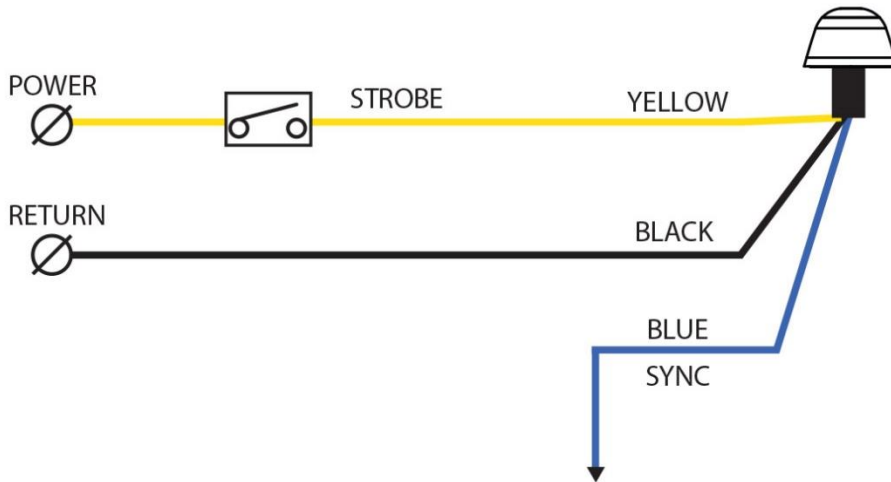


Dimensions in mm / inches



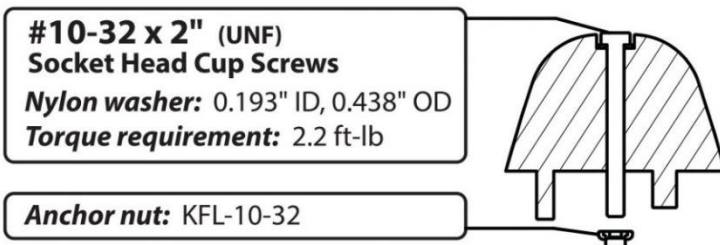
**NOT APPROVED FOR INSTALLATION ON CERTIFIED AIRCRAFT
THIS IS NOT A TSO CERTIFIED LIGHT**

Wiring Diagram

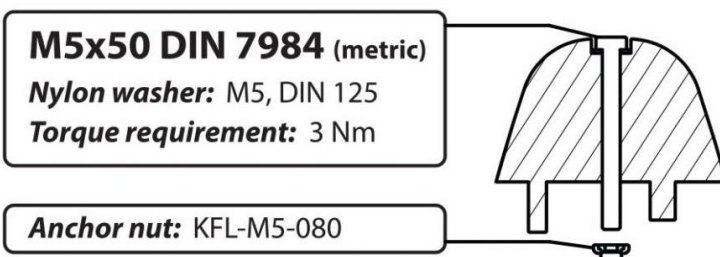


Recommended size of mounting screw

UNF



Metric



!!! DO NOT OVERTIGHTEN AS YOU MAY CRACK THE LENS SHELL AND VOID WARRANTY !!!

**NOT APPROVED FOR INSTALLATION ON CERTIFIED AIRCRAFT
THIS IS NOT A TSO CERTIFIED LIGHT**