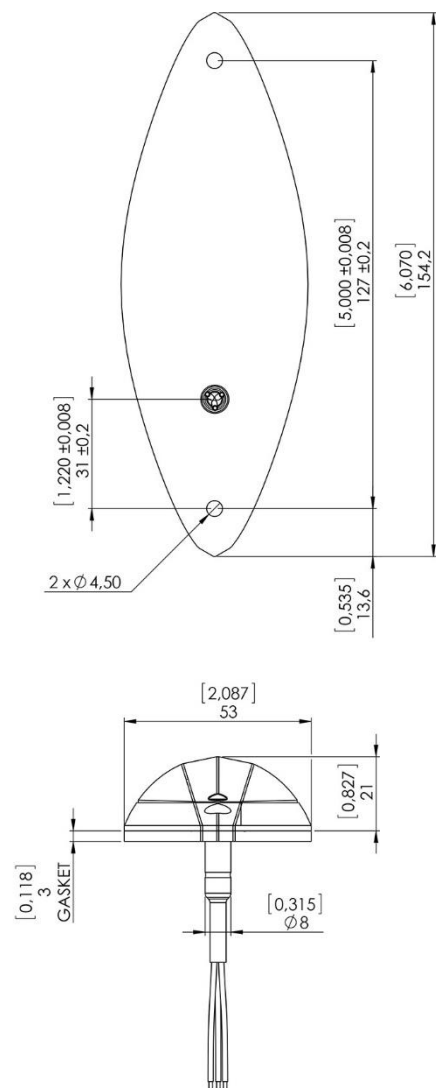


Specification

Dimensions (mm):	154.2 x 53 x 21
Dimensions (inches):	6.070" x 2.087" x 0.827"
Weight:	155 g / 5.47 oz
Operating Voltage Range:	9 – 36 VDC
Input Power – White Strobe (@28V):	65 W (peak)
Input Power – Red Strobe (@28V):	47.9 W (peak)
Input Current – White Strobe (@28V):	2.32 A (peak)
Input Current – Red Strobe (@28V):	1.71 A (peak)
Repetition Rate of Strobe:	50 cycles per minute
Ambient Temperature:	from -55°C to +85°C from -67°F to +185°F
Overheat Protection:	Yes, +85°C
Recommended size of mounting screw:	M4 (SHCS #8-32)
Reverse Polarity Protection:	Yes
Transient Voltage:	60V
Under-Voltage Protection (lockout):	Yes (9V)
Over-Voltage protected (lockout):	Yes (36V)
Waterproof, Dust-proof, Shock-proof, Vibration-proof	Yes

Drawing



**NOT APPROVED FOR INSTALLATION ON CERTIFIED AIRCRAFT
THIS IS NOT A TSO/ETSO CERTIFIED LIGHT**