



Specification

Dimensions (mm): 100 mm x 46.2 mm x 34.1 mm

Dimensions (inches): 3.94" x 1.819" x 1.34"

Weight: 114 g / 4.021 oz

Operating Voltage Range: 9 – 36 V DC

Input Power 9 V / 0.56 A : 5.0 W

P/N: AVE-WPSTG-64T Mod(4)

Nav Green / Rear White Position:

14 V / 0.36 A : 5.1 W

28 V / 0.19 A : 5.4 W

36 V / 0.15 A : 5.5 W

Input Power 9 V / 6.33 A : 57.0 W

P/N: AVE-WPSTG-64T Mod(4)

Strobe:

14 V / 2.92 A : 40.9 W

28 V / 1.36 A : 38.1 W

36 V / 1.06 A : 38.2 W

Input Power 9 V / 0.55 A : 4.9 W

P/N: AVE-WPSTR-64T Mod(4)

Nav Red / Rear White Position:

14 V / 0.36 A : 5.0 W

28 V / 0.19 A : 5.3 W

36 V / 0.16 A : 5.6 W

Input Power 9 V / 6.49 A : 58.4 W

P/N: AVE-WPSTR-64T Mod(4)

Strobe:

14 V / 2.97 A : 41.6 W

28 V / 1.38 A : 38.5 W

36 V / 1.07 A : 38.5 W

Repetition Rate of Strobe: 50 cycles per minute

Ambient Temperature: from -55°C to +85°C

from -67°F to +185°F

Overheat Protection: Yes (+85°C)

Recommended size of mounting screw: M5x45 mm (DIN7984) or equivalent

Torque requirement for screw M5x45mm: 1.2Nm

Reverse Polarity Protection: Yes

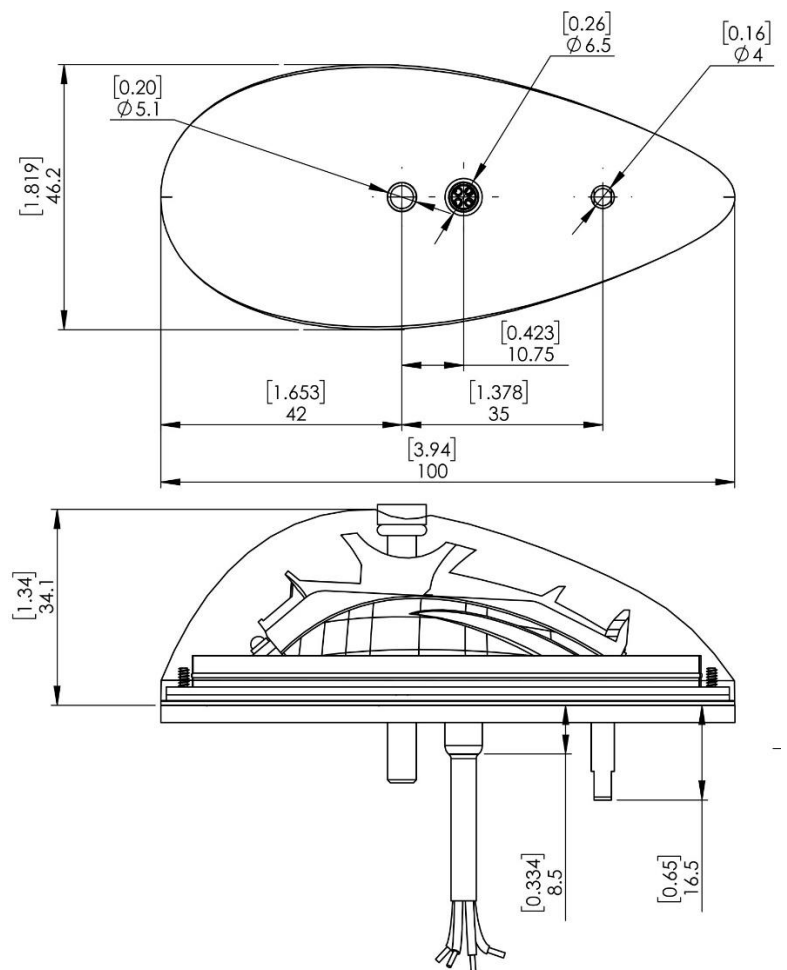
Maximum Transient Voltage: 80 V at 2 sec max, both polarities

Under-Voltage Protection: Yes

Over-Voltage Protection: Yes

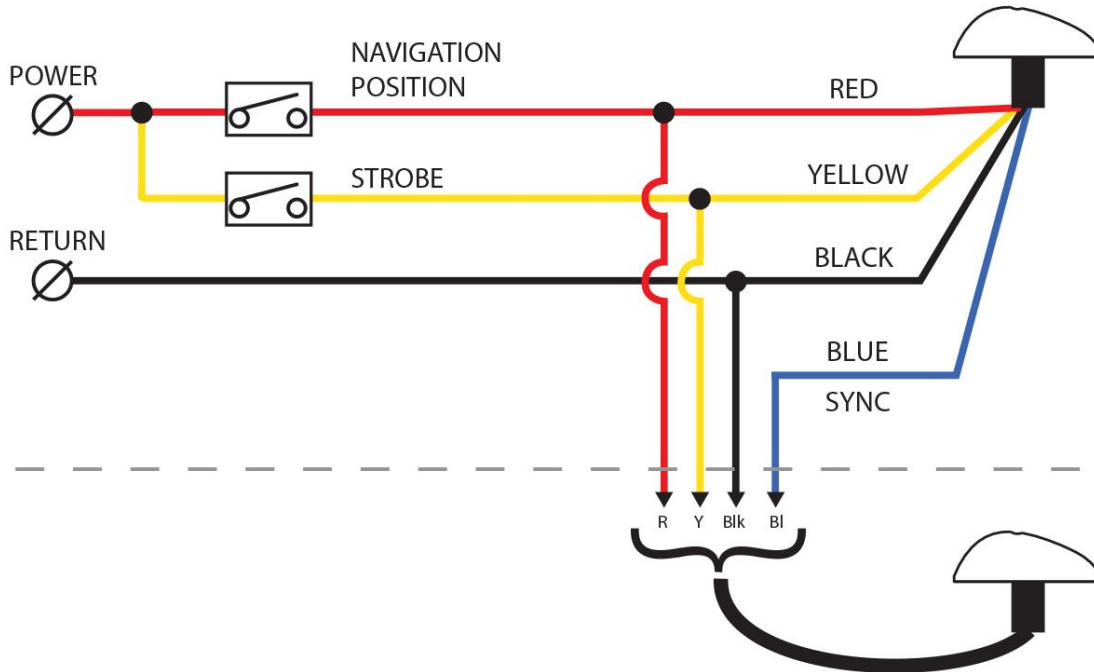
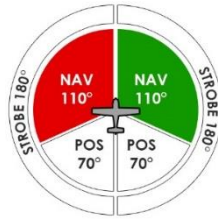
Waterproof, Dust-proof, Vibration-proof: Yes

Drawing



Dimensions in mm / inches

**NOT APPROVED FOR INSTALLATION ON CERTIFIED AIRCRAFT
THIS IS NOT A TSO/ETSO CERTIFIED LIGHT**



Teflon insulation, 500V

Wire length from base of unit 10.00 inch min.

VCCP - AWG 20, Positive power supply line for position (RED)

VCCS - AWG 20, Positive power supply line for strobe (YELLOW)

GND - AWG 20, Common negative power supply line (BLACK)

SYNC - AWG 22, Synchronization line (BLUE)