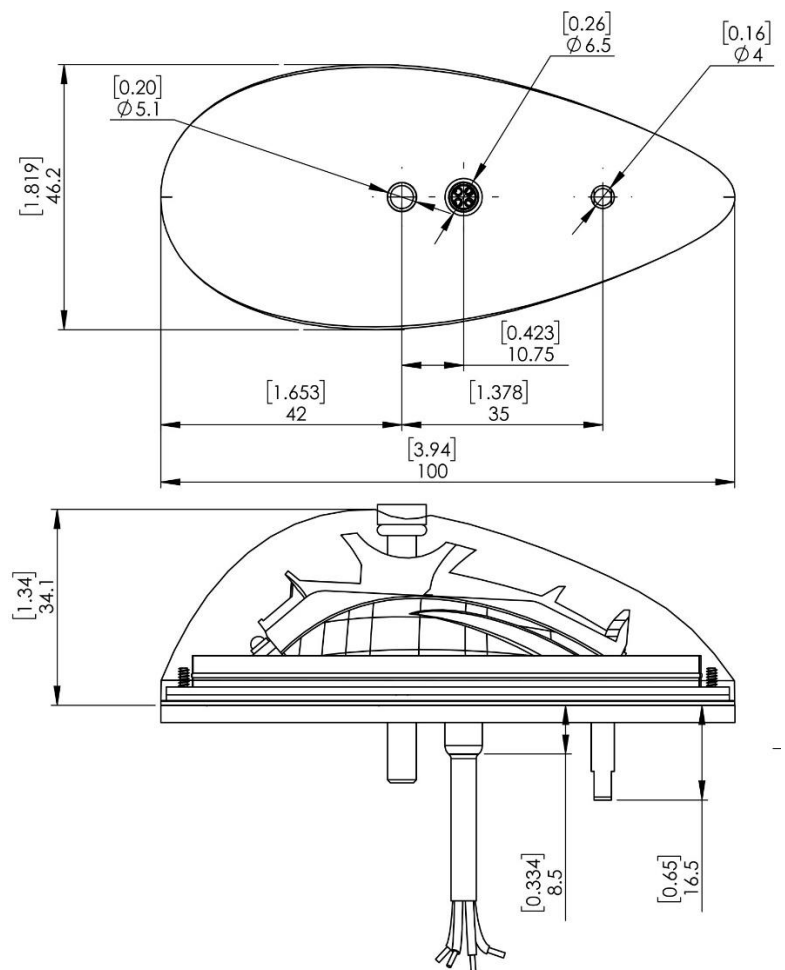




## Specification

<b>Dimensions (mm):</b>	100 mm x 46.2 mm x 34.1 mm
<b>Dimensions (inches):</b>	3.94" x 1.819" x 1.34"
<b>Weight:</b>	103 g / 3.63 oz
<b>Operating Voltage Range:</b>	9 – 36 V DC
<b>Input Power</b> P/N: AVE-WPSTG-64T Mod(4) Nav Green / Rear White Position:	9 V / 0.56 A : 5.0 W 14 V / 0.36 A : 5.1 W 28 V / 0.19 A : 5.4 W 36 V / 0.15 A : 5.5 W
<b>Input Power</b> P/N: AVE-WPSTG-64T Mod(4) Strobe:	9 V / 6.33 A : 57.0 W 14 V / 2.92 A : 40.9 W 28 V / 1.36 A : 38.1 W 36 V / 1.06 A : 38.2 W
<b>Input Power</b> P/N: AVE-WPSTR-64T Mod(4) Nav Red / Rear White Position:	9 V / 0.55 A : 4.9 W 14 V / 0.36 A : 5.0 W 28 V / 0.19 A : 5.3 W 36 V / 0.16 A : 5.6 W
<b>Input Power</b> P/N: AVE-WPSTR-64T Mod(4) Strobe:	9 V / 6.49 A : 58.4 W 14 V / 2.97 A : 41.6 W 28 V / 1.38 A : 38.5 W 36 V / 1.07 A : 38.5 W
<b>Repetition Rate of Strobe:</b>	50 cycles per minute
<b>Ambient Temperature:</b>	from -55°C to +85°C from -67°F to +185°F
<b>Overheat Protection:</b>	Yes (+85°C / +185°F)
<b>Supplied mounting screw:</b> <i>Only supplied hardware can be used to install!</i>	M5x45 mm (DIN7984)
<b>Torque requirement for screw M5x45mm:</b>	1.2Nm
<b>Reverse Polarity Protection:</b>	Yes
<b>Maximum Transient Voltage:</b>	80 V at 2 sec max, both polarities
<b>Under-Voltage Protection:</b>	Yes
<b>Over-Voltage Protection:</b>	Yes
<b>Waterproof, Dust-proof, Vibration-proof:</b>	Yes

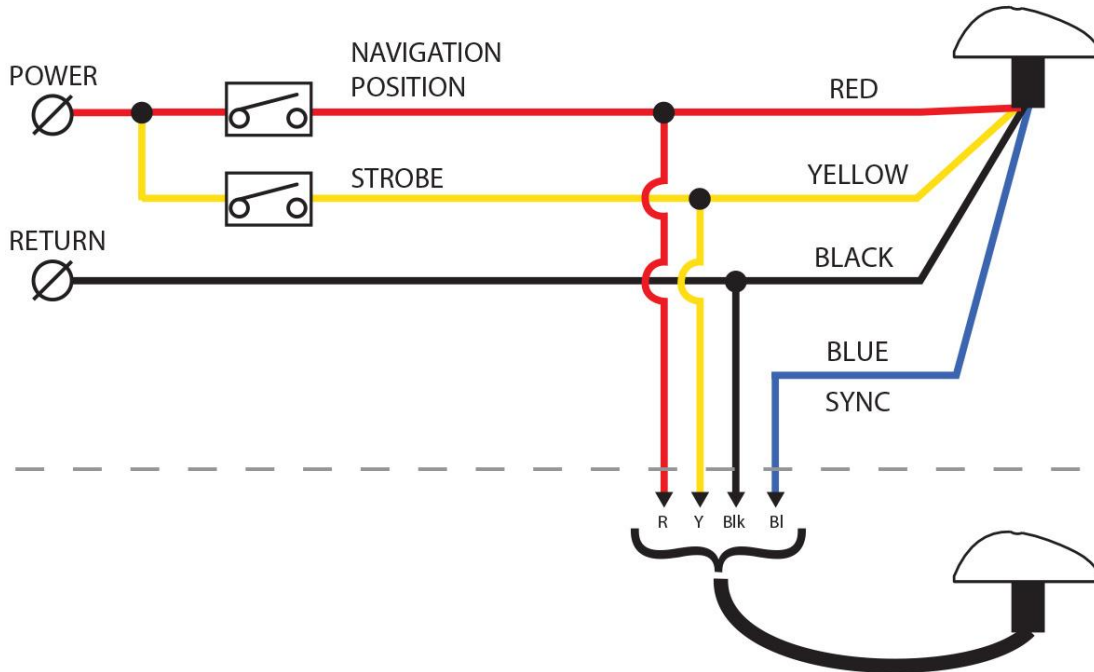
## Drawing



Dimensions in mm / inches



**NOT APPROVED FOR INSTALLATION ON CERTIFIED AIRCRAFT  
THIS IS NOT A TSO/ETSO CERTIFIED LIGHT**



Teflon insulation, 500V

Wire length from base of unit 10.00 inch min.

VCCP - AWG 20, Positive power supply line for position (RED)

VCCS - AWG 20, Positive power supply line for strobe (YELLOW)

GND - AWG 20, Common negative power supply line (BLACK)

SYNC - AWG 22, Synchronization line (BLUE)