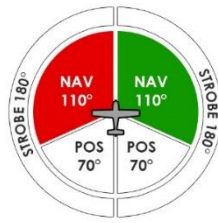


Ultra Galactica™

Navigation / Position / Strobe LED light



AVEO
ENGINEERING

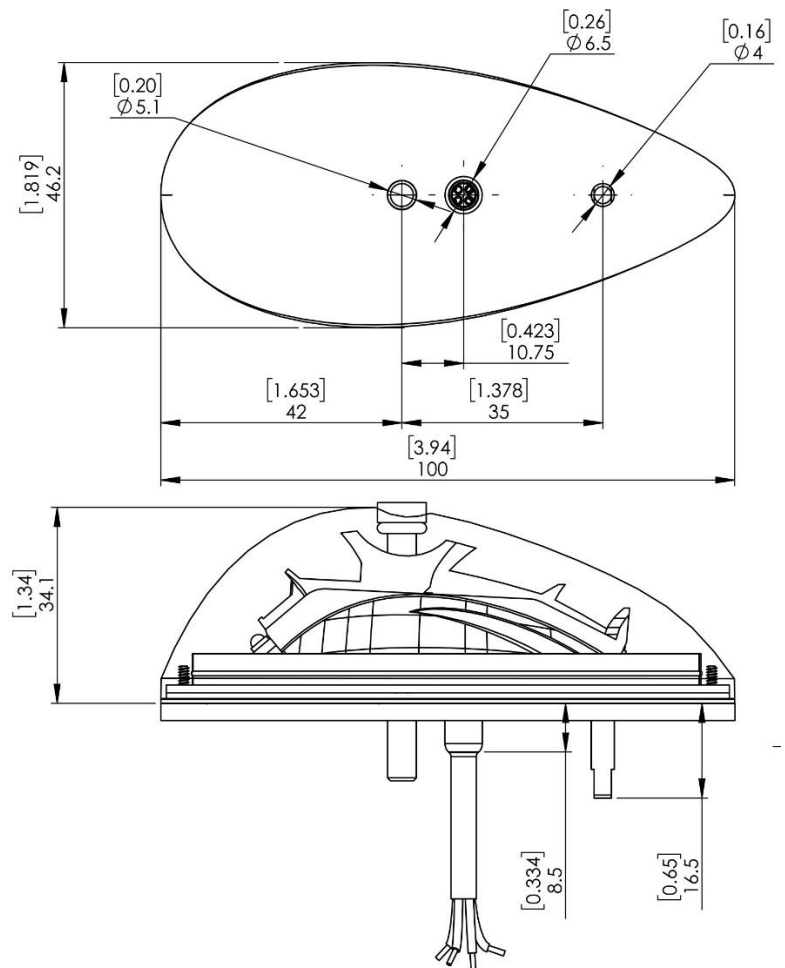
Red LEDs P/N: AVE-WPSTR-54G Mod (4)
Green LEDs P/N: AVE-WPSTG-54G Mod (4)



Specification

Dimensions (mm):	100 mm x 46.2 mm x 34.1 mm
Dimensions (inches):	3.94" x 1.819" x 1.34"
Weight:	114 g / 4.021 oz
Operating Voltage Range:	9 – 36 V DC
Input Power	9 V / 0.56 A : 5.0 W
P/N: AVE-WPSTG-54G Mod (4)	14 V / 0.36 A : 5.1 W
Nav Green / Rear White Position:	28 V / 0.19 A : 5.4 W
	36 V / 0.15 A : 5.5 W
Input Power	9 V / 6.33 A : 57.0 W
P/N: AVE-WPSTG-54G Mod (4)	14 V / 2.92 A : 40.9 W
Strobe:	28 V / 1.36 A : 38.1 W
	36 V / 1.06 A : 38.2 W
Input Power	9 V / 0.55 A : 4.9 W
P/N: AVE-WPSTR-54G Mod (4)	14 V / 0.36 A : 5.0 W
Nav Red / Rear White Position:	28 V / 0.19 A : 5.3 W
	36 V / 0.16 A : 5.6 W
Input Power	9 V / 6.49 A : 58.4 W
P/N: AVE-WPSTR-54G Mod (4)	14 V / 2.97 A : 41.6 W
Strobe:	28 V / 1.38 A : 38.5 W
	36 V / 1.07 A : 38.5 W
Repetition Rate of Strobe:	50 cycles per minute
Ambient Temperature:	from -55°C to +85°C from -67°F to +185°F
Overheat Protection:	Yes (+85°C)
Recommended size of mounting screw:	M5 x 40 mm (DIN7984) or equivalent
Reverse Polarity Protection:	Yes
Maximum Transient Voltage:	80 V at 2 sec max, both polarities
Under-Voltage Protection:	Yes
Over-Voltage Protection:	Yes
Waterproof, Dust-proof, Vibration-proof:	Yes

Drawing



Dimensions in mm / inches

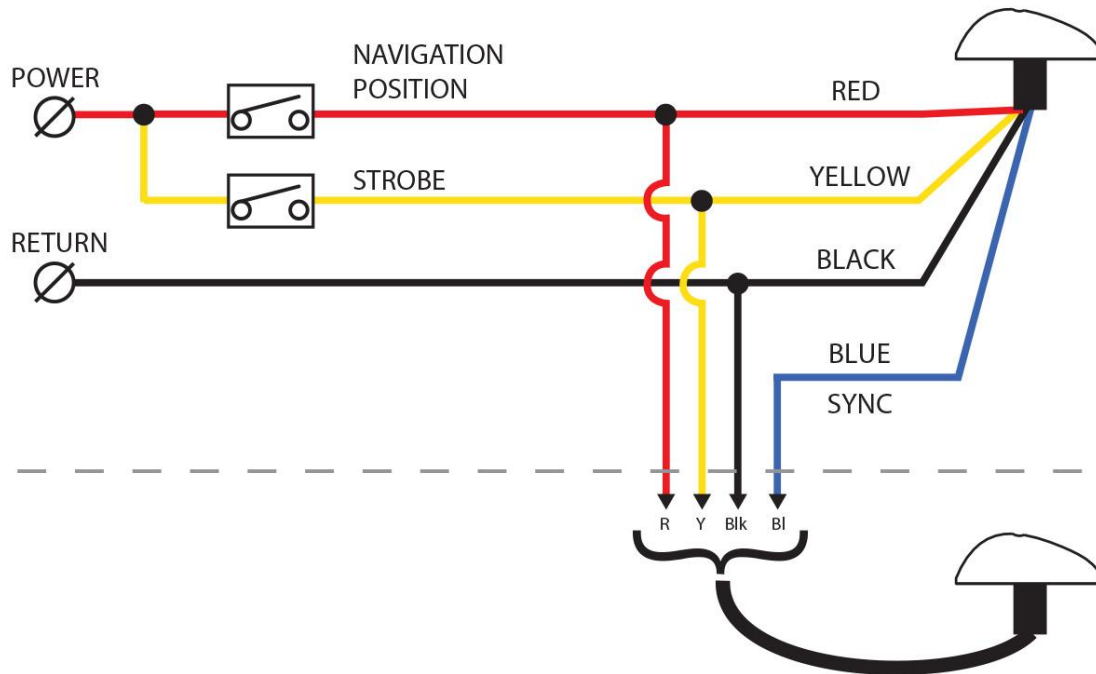
Ultra Galactica™

Navigation / Position / Strobe LED light



AVEO
ENGINEERING

Red LEDs P/N: AVE-WPSTR-54G Mod (4)
Green LEDs P/N: AVE-WPSTG-54G Mod (4)



Teflon insulation, 500V

Wire length from base of unit 10.00 inch min.

VCCP - AWG 20, Positive power supply line for position (RED)

VCCS - AWG 20, Positive power supply line for strobe (YELLOW)

GND - AWG 20, Common negative power supply line (BLACK)

SYNC - AWG 22, Synchronization line (BLUE)