

# MultiModeFlood™

90° version – P/N: AVE-FLILMWR-D01  
Straight version - P/N: AVE-FLILMWR-D02

## FAR/DO160 Compliant Flood Light Series

- Multicolor – White / NVIS White / Red
- IR option
- Dimmable
- 120° wide viewing angle
- DO-160G Environmentally qualified
- IP68 Waterproofness



## Specification

Dimensions of LED stripe	230 mm x 11 mm x 5 mm 9.06" x 0.43" x 0.20"
Weight	23 g / 0.811 oz
Lighting modes	White / NVIS White / Red IR option
Viewing angle	120°
Operating voltage	28 V DC
Operating temperature	-40°C to +85°C -40°F to +185°F
Power	0.56W per color
Input current	0.02A Max per color
Input wires	4 x AWG 22, multicore, 300V, PTFE, -55°C to +180°C
Waterproof, Dust-proof, Shock-proof, Vibration-proof	Yes

## Colors

White



NVIS White



Red

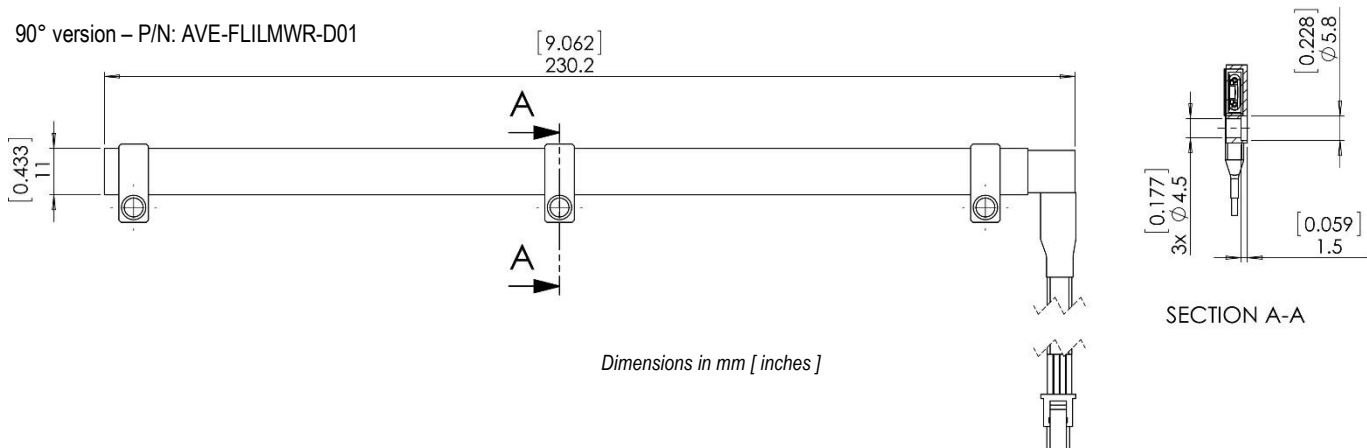


IR

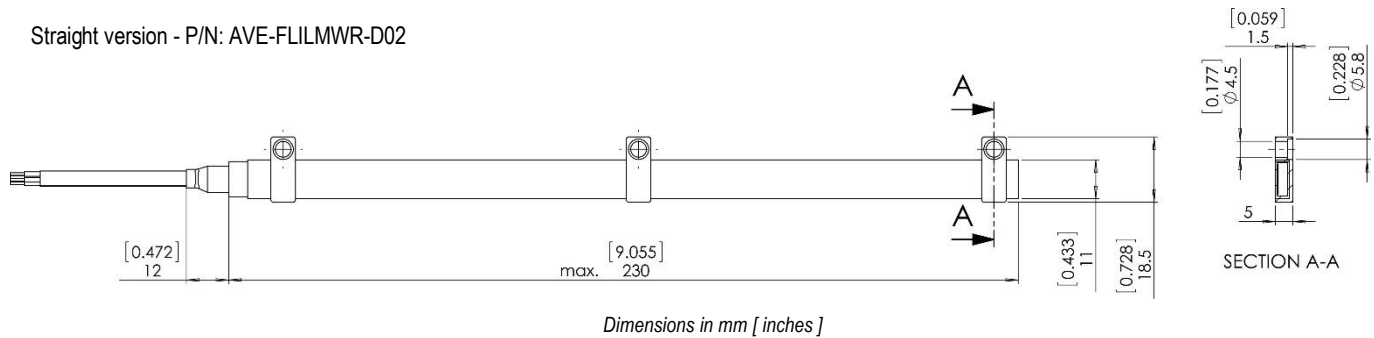


## Drawing

90° version – P/N: AVE-FLILMWR-D01

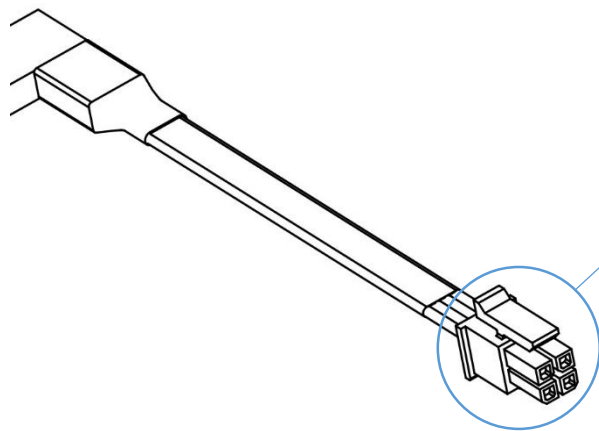


Straight version - P/N: AVE-FLILMWR-D02



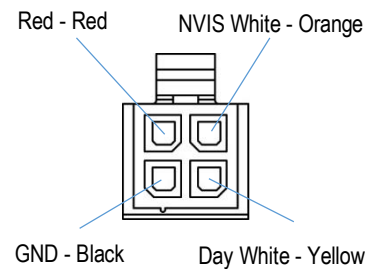
## Wiring Diagram

90° version – P/N: AVE-FLILMWR-D01

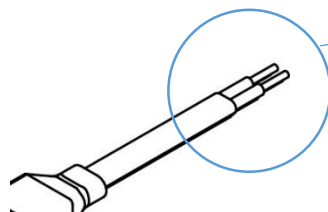


**Connector housing with pins:**

Dual row, Micro-Fit 3.0 Molex  
 PN:43025-0400  
 Material: Nylon  
**Pin:**  
 Contact Micro-Fit 3.0  
 PN: 43030-0010  
 Material: Tin plated



Straight version – P/N: AVE-FLILMWR-D02



**Yellow** - Day mode White  
**Orange** - NVIS White  
**Red** - Red  
**Black** - GND